



PDQ Automatic Transmission Parts, Inc.

TORQUE CONVERTERS

SOFT PARTS

HARD PARTS

2003 Rebuild Kit Catalog



toll free (800) 852-3351

local (916) 681-7701

fax (916) 681-7710

New Additions Include:

- 10 New Transmission Types
- New Deluxe Kits*
- New Rebuild Kits
- New Banner Kits
- New Overhaul and Gasket Kits
- New Steel Kits
- New Molded Clutch Pistons
- New Molded Band Servo Pistons
- Expanded Notes for Accuracy

* Some kits will not contain Molded Band Servo Pistons due to selective pin lengths and piston diameters.

KIT COMPONENT MATRIX

COMPONENTS	<div style="display: flex; justify-content: space-around; text-align: center;"> <div style="border-right: 1px solid black; padding: 2px;"><i>Deluxe Kit (2002 BAR Compliant)</i></div> <div style="border-right: 1px solid black; padding: 2px;"><i>Rebuild Kit</i></div> <div style="border-right: 1px solid black; padding: 2px;"><i>Banner Kit</i></div> <div style="border-right: 1px solid black; padding: 2px;"><i>Overhaul Kit</i></div> <div style="border-right: 1px solid black; padding: 2px;"><i>Gasket Kit</i></div> <div style="border-right: 1px solid black; padding: 2px;"><i>External Seal Kit</i></div> <div style="padding: 2px;"><i>Sub Kit</i></div> </div>						
	000	001	002	003	004	005	006-010
External Gaskets	X	X	X	X	X	X	Servo Lip Seals Speedometer Lip Seals Accumulator Seals
Internal Gaskets	X	X	X	X	X		
Pan Gasket	X(1)	X(1)	X(1)	X(1)	X(1)		
Metal Clad Seals	X	X	X	X			
Sealing Ring Kit	X	X	X	X			
Friction Module	X	X	X				
Steel Module	Never (Always order as a separate kit)						
Bands	X(3)	X(2)					
Filter	X	X					
Modulator	X(4)	X(4)					
Converter Bushing	X(8)	X(5)					
Extension Bushing	X(8)	X(5)					
Bushing Kit	Some						
Thrust Washers	Some						
Servo Pistons	X(6)						
Clutch Pistons	X(7)						
Electronics	Some						

(1) All Pan Gaskets and Side Cover Gaskets are Fiber

(2) One or Two Bands

(3) Various Bands

(4) When required in unit

(5) GM & Ford (RWD only); Chrysler (RWD & FWD); Foreign (Varies)

(6) Servo Pistons and covers are in the kit when there is only one variation; please order separately when there are various pin lengths or piston diameters (i.e. A4LD, C6, AOD, etc.)

(7) Kit includes all molded clutch pistons and may include clutch piston updates (i.e. AXOD Forward steel clutch piston)

(8) Some foreign kits will not include bushings

Table of Contents

GENERAL MOTORS

<u>Transmission</u>	<u>Series</u>	<u>Drive</u>	<u>Page</u>
3T40 (TH125C)	29000	FWD	3
4T40-E, 4T45-E	31000	FWD	3
4T60, 4T60-E, 4T65-E	32000	FWD	4
4T80-E	33000	FWD	5
TH125, TH125C (3T40)	29000	FWD	3
TH325, TH325-4L	21000	FWD	4
TH425	24000	FWD	8
TH440-T4 (4T60)	32000	FWD	4
Jatco F3A (Geo, Chevy)	920000	FWD	32
JF403E (Geo)	931000	FWD	32
Saturn TAAT	906000	FWD	5
Toyota A131L (Geo, Chevy)	972000	FWD	25
Toyota A210, MX-17 (Geo, Chevy)	15000	FWD	5
Toyota A240E (Geo, Chevy)	972000	FWD	26
4L30-E	18000	RWD	6
4L60, 4L60-E	37000	RWD	9
4L80-E	25000	RWD	10
TH180, TH180C	18000	RWD	6
TH200, TH200C	21000	RWD	7
TH200-4R	21000	RWD	7
TH250C	35000	RWD	8
TH350, TH350C	35000	RWD	8
TH375	24000	RWD	8
TH400, TH475	24000	RWD	8
TH700-R4 (4L60)	37000	RWD	9
ST300	17000	RWD	6
Powerglide (Aluminum)	16000	RWD	6
MK2, MH5 Corvette	11000	RWD	9
Allison AT540, 543, 545	12000	RWD	TBA
Allison MT640 Series	13000	RWD	TBA
JR403E (Trucks)	932000	RWD	34

FORD

<u>Transmission</u>	<u>Series</u>	<u>Drive</u>	<u>Page</u>
4F46S (AX4S)	67000	FWD	12
4F50N (AX4N)	67000	FWD	12
ATX	49000	FWD	11
AXOD, AXOD-E	67000	FWD	12
AX4S (4F46S)	67000	FWD	12
AX4N (4F50N)	67000	FWD	12
CD4E (LA4A-EL)	61000	FWD	11
4EAT-F, IF4E, F4EIII (One Pan)	921000	FWD	37
4EAT-G, 4EAT-GF (Two Pan)	922000	FWD	38
4F27E (FN4A-EL)	924000	FWD	37
Jatco F3A (Aspire, Festiva, Tracer)	920000	FWD	32
4R100 (E4OD)	57000	RWD	16
4R44E, 4R55E, 5R55E (A4LD)	46000	RWD	15
5R55N, 5R55W	46000	RWD	14
AOD, AOT, FIOD	41000	RWD	13
AOD-E, 4R7OW	41000	RWD	13
A4LD (4R44E, 4R55E, 5R55E)	46000	RWD	15
C3	46000	RWD	14
C4, C5	54000	RWD	17
C6	56000	RWD	16
E4OD, 4R100	57000	RWD	16
FMX	40000	RWD	17
Ford 3-Speed Cast Iron	40000	RWD	17
Ford 2-Speed	40000	RWD	18
Borg Warner 8 & 12	914000	RWD	18
Jatco 3N71B (Courier, Granada)	925	RWD	33
ZF 4HP-22 (Lincoln)	991000	RWD	53

CHRYSLER

<u>Transmission</u>	<u>Series</u>	<u>Drive</u>	<u>Page</u>
A404 (30TH)	83000	FWD	19
A413, A470, A670 (31TH)	83000	FWD	19
A604 (40TE, 41TE, 41AE)	84000	FWD	19
A606 (42LE)	84000	FWD	20
KM170-177 (83-88)	941000	FWD	45
KM171.5-177.8 (89-99)	941000	FWD	46
F4A33/ W4A33 (Dodge, Plymouth)	941000	FWD	47
MB1, MJ3 (AMC)	911000	FWD	59
Toyota AW4 (A340H), (Jeep)	976000	FWD	29
45RFE	71000	RWD	20
A500 (40RH, 42RH)	74000	RWD	21
A500SE (42RE, 44RE)	74000	RWD	21
A518 (46RH, 46RE)	77000	RWD	22
A618 (47RH, 47RE)	77000	RWD	22
A727 (36RH, 37RH)	77000	RWD	22
A904 (30RH), A999 (32RH)	74000	RWD	21
Torqueflite 6 (A904)	74000	RWD	21
Torqueflite 8 (A727)	77000	RWD	22
Borg Warner 8 & 12	914000	RWD	18
Borg Warner T35, 41, 44	915000	RWD	60
ZF4HP-18 (Eagle Premier)	992000	FWD	54

EUROPEAN IMPORTS

<u>Transmission</u>	<u>Series</u>	<u>Drive</u>	<u>Page</u>
Borg Warner 8 & 12	914000	RWD	18
Borg Warner T35, 41, 44	915000	RWD	60
Borg Warner T65, 66	916000	RWD	60
Mercedes 722.0, 722.1, 722.2	951000	RWD	51
Mercedes 722.3, 722.4	951000	RWD	51
Mercedes 722.5	951000	RWD	51
Mercedes 722.6	951000	RWD	52
Renault MB1, MJ3	911000	FWD	59
AG4	987000	FWD	50
VW 003	985000	FWD	49
VW 010, 087, 089, 090	985000	FWD	49
VW 095, 096, 097, 098	987000	FWD	50
ZF 4HP-14, 4HP-18	992000	FWD	54
ZF 5HP-19FLE, 5HP-19FLA	992000	FWD	55
ZF 5HP-24A	991000	FWD	56
ZF 3HP-12, 3HP-20	991000	RWD	53
ZF 3HP-22	991000	RWD	53
ZF 4HP-22, 4HP-24	991000	RWD	53
ZF 5HP-18	992000	RWD	54
ZF 5HP-19	992000	RWD	55
ZF 5HP-24	991000	RWD	55
ZF 5HP-30	991000	RWD	56

Table of Contents

ASIAN IMPORTS			
Transmission	Series	Drive	Page
Acura 4 Speed (2 Shaft)	901000	FWD	43
Acura 4 Speed (3 Shaft)	904000	FWD	44
Acura Longitudinal 4 Speed	905000	FWD	42
Honda 2 Speed	901000	FWD	42
Honda 3 Speed	901000	FWD	42
Honda 4 Speed (2 Shaft)	901000	FWD	43
Honda 4 Speed (3 Shaft)	904000	FWD	44
Honda 5 Speed (3 Shaft)	904000	FWD	TBA
Honda CVT	904000	FWD	TBA
Hyundai A4AF1/F2, A4BF1	941000	FWD	47
Infinity RE4R01A	927000	RWD	35
Infinity RE4R03A	927000	RWD	34
Isuzu JR403E (Truck)	932000	RWD	34
Isuzu A40 Series	968000	RWD	24
Isuzu 4L30-E	18000	RWD	36
Jatco JF403E	931000	FWD	32
Jatco 3N71B	925000	RWD	33
Jatco 4N71B	925000	RWD	33
Jatco JR403E (Truck)	932000	RWD	34
Lexus A540 Series	972000	FWD	27
Lexus A340, A350 Series	976000	RWD	29
Lexus A650 Series	976000	RWD	29
Mazda F3A	920000	FWD	32
Mazda F4A-EL (One Pan)	921000	FWD	37
Mazda FN4A-EL (4F27E)	924000	FWD	37
Mazda G4A-HL, G4A-EL (2 Pan)	922000	FWD	38
Mazda L4A-EL (CD4E)	61000	FWD	11
Mazda J39A (4F27E)	924000	FWD	37
Mazda N4A-HL, N4A-EL (4N71B)	925000	RWD	33
Mazda JR403E (Truck)	932000	RWD	34
Mazda R4A-EL (RE4R01A)	927000	RWD	35
Mitsubishi A4AF1/F2, A4BF1	941000	FWD	47
Mitsubishi F4A33 (W4A33)	941000	FWD	47
Mitsubishi F4A41/42-1	945000	FWD	48
Mitsubishi F4A51-1	945000	FWD	48
Mitsubishi KM170-177 (83-88)	941000	FWD	45
Mitsubishi KM171.5-177.8 (89-99)	941000	FWD	46
Mitsubishi W4A33 (F4A33)	941000	FWD	47
Mitsubishi R4A51, V4A51	945000	RWD	48
Mitsubishi R5A51, V5A51	945000	RWD	48
Mitsubishi JR403E (Truck)	932000	RWD	34

ASIAN IMPORTS			
Transmission	Series	Drive	Page
Nissan RL3F01A	926000	FWD	39
Nissan RE/RL4F02A	928000	FWD	39
Nissan RE/RL4F03A/B	929000	FWD	40
Nissan RE4F04A/B	929000	FWD	41
Nissan RE/RL4R01A	927000	RWD	35
Nissan RE5R01A	927000	RWD	36
Nissan RE4R03A	933000	RWD	34
Nissan RG4R01A	933000	RWD	34
Subaru 3 Speed M41	955000	FWD	57
Subaru 4 Speed R4AXEL (87-98)	956000	FWD	58
Subaru 4 Speed 4AT-E (99-up)	956000	FWD	TBA
Suzuki A210 (MX17)	15000	FWD	5
Toyota A130 Series	972000	FWD	25
Toyota A140 Series	972000	FWD	25
Toyota A240 Series	972000	FWD	26
Toyota A540 Series	972000	FWD	27
Toyota U140, U240	974000	FWD	28
Toyota U340, U341	974000	FWD	28
Toyota AW50-40/42LE	978000	FWD	28
Toyota AW60-40/42LE	978000	FWD	28
Toyota A10, A20, A30	967000	RWD	23
Toyota A40 Series	968000	RWD	24
Toyota A55	969000	RWD	24
Toyota A340, A350 Series	976000	RWD	29
Toyota A440 Series	977000	RWD	31
Toyota A650 Series	976000	RWD	29
Volvo AW5040LE/ AW6040LE	978000	FWD	28
Volvo ZF4-HP22	991000	RWD	53
Volvo AW55, AW70	968000	RWD	24

TH125, TH125C, 3T40

REBUILDER KITS

Year	Application	Deluxe Kit	Rebuild Kit	Banner Kit	Overhaul Kit	Gasket Kit
80-84	TH125/C	29000	29001	29002	29003	29004
85-93	TH125C (1)	29000A	29001A	29002A	29003	29004
94-00	TH125C - w/ High Energy Band (1)	29000B	29001B	29002A	29003	29004
80-up	External Seal Kit	29005				
85-up	Speed Sensor Kit	29006				
85-up	Servo Lip Seal Kit (replaces teflon sealing rings)	29007				

(1) Kit contains 4 Direct frictions; some 1988-up units require an additional Direct friction, please order separately.

STEEL KITS

Year	Application	Steel Kit
80-84	TH125/C	29120
85-up	TH125C	29120A

4T40-E, 4T45-E

REBUILDER KITS

Year	Application	Deluxe Kit	Rebuild Kit	Banner Kit	Overhaul Kit	Gasket Kit
95-up	4T40E/ 45E		31001	31002	31003	

STEEL KITS

Year	Application	Steel Kit
95-up	4T40E/ 45E	31120
98-up	4T40E/ 45E - w/ Turbulator Steels	31120A

MOLDED CLUTCH PISTONS

Year	Application	Piston
95-up	2nd Clutch	31542
95-up	Reverse Input - Outer	31541
95-up	Reverse Input - Inner	31541-1
95-up	Direct Clutch	31546
95-up	Coast Clutch	31545
95-up	Forward - Outer	31547
95-up	Forward - Inner	31547-1

GENERAL MOTORS

TH325, TH325-4L

REBUILDER KITS

Year	Application	Deluxe Kit	Rebuild Kit	Banner Kit	Overhaul Kit	Gasket Kit
79-81	TH325	21000C	21001C	21002C	21003C	21004C
82-85	TH325-4L (1)	21000D	21001D	21002D	21003D	21004D
84-85	Intermediate Servo Lip Seal Kit	21006				

(1) Order the Intermediate Servo Lip Seal Kit for 1984-85 applications

STEEL KITS

Year	Application	Steel Kit
79-81	TH325	21120C
82-85	TH325-4L	21120D

440-T4, 4T60, 4T60-E, 4T65-E

REBUILDER KITS

Year	Application	Deluxe Kit	Rebuild Kit	Banner Kit	Overhaul Kit	Gasket Kit
84-86	TH440-T4	32000	32001	32002	32003	32004
87-88	TH440-T4	32000A	32001A	32002A	32003A	32004
89-93	TH440-T4	32000B	32001B	32002B	32003A	32004
91-94	4T60E	32000C	32001C	32002C	32003C	32004C
95-99	4T60E (1)	32000D	32001D	32002D	32003C	32004C
97-up	4T65E	32000E	32001E	32002E	32003E	32004C
84-93	External Seal Kit 440-T4	32005				
91-up	External Seal Kit 4T60E	32005C				
97-up	External Seal Kit 4T65E	32005E				
84-up	Speedometer Sensor Kit (All)	32006				

(1) Order (2) 32247A Driven Sprocket Support sealing rings for 1998-99 applications.

STEEL KITS

Year	Application	Steel Kit
84-86	TH440-T4	32120
87-90	TH440-T4	32120A
89-93	TH440-T4	32120B
91-up	4T60E	32120C
97-up	4T65E	32120E

MOLDED CLUTCH PISTONS

Year	Application	Piston
91-99	4T60/E - 2nd Clutch - retros to 84	32542A
97-up	4T65E - 2nd Clutch	32542B
89-99	4T60/E - 3rd Clutch	32543A
97-up	4T65E - 3rd Clutch	32543B

GENERAL MOTORS

4T80E

REBUILDER KITS

Year	Application	Deluxe Kit	Rebuild Kit	Banner Kit	Overhaul Kit	Gasket Kit
93-94	4T80E		33001	33002	33003	
95-up	4T80E		33001A	33002A	33003	

STEEL KITS

Year	Application	Steel Kit
93-94	4T80E	33120
95-up	4T80E	33120A

MOLDED CLUTCH PISTONS

Year	Application	Piston
93-94	2nd Clutch	33542
95-up	2nd Clutch - 2nd Design	33542A
93-up	3rd Clutch	33543
93-up	Coast	33545

Saturn TAAT

REBUILDER KITS

Year	Application	Deluxe Kit	Rebuild Kit	Banner Kit	Overhaul Kit	Gasket Kit
91-up	TAAT			906002	906003	

STEEL KITS

Year	Application	Steel Kit
There is no steel kit for this transmission because the frictions are double sided		

MOLDED CLUTCH PISTONS

Year	Application	Piston
91-up	1st Clutch	906540
91-up	2nd Reverse Clutch	906546
91-up	3rd Clutch	906546
91-up	4th Clutch	906546

MX17, A210

REBUILDER KITS

Year	Application	Deluxe Kit	Rebuild Kit	Banner Kit	Overhaul Kit	Gasket Kit
85-up	MX17/A210 (1)		15001	15002	15003	15004

(1) For Daihatsu applications: please order Axle Seals and Differential Gaskets separately.

STEEL KITS

Year	Application	Steel Kit
85-up	MX17/ A210	15120

Powerglide (Aluminum)

REBUILDER KITS

Year	Application	Deluxe Kit	Rebuild Kit	Banner Kit	Overhaul Kit	Gasket Kit
62-73	Powerglide (Aluminum)	16000	16001	16002	16003	16004

STEEL KITS

Year	Application	Steel Kit
62-73	Powerglide (Aluminum)	16120

Super Turbine 300

REBUILDER KITS

Year	Application	Deluxe Kit	Rebuild Kit	Banner Kit	Overhaul Kit	Gasket Kit
64-69	ST300			17002	17003	17004

STEEL KITS

Year	Application	Steel Kit
64-69	ST300	17120

TH180, TH180C, 4L30E

REBUILDER KITS

Year	Application	Deluxe Kit	Rebuild Kit	Banner Kit	Overhaul Kit	Gasket Kit
69-up	TH180/C - exc. Holden (1)		18001	18002	18003	18004
90-97	4L30E w/ .098" 3rd frictions	18000A		18002A	18003A	18004A
92-up	4L30E w/ .065" 3rd frictions	18000B		18002B	18003A	18004A

(1) Kits do not include Extension Housing Seals for Tracker and Sidekick, please order separately.

STEEL KITS

Year	Application	Steel Kit
71-up	TH180/C - exc. Holden	18120
90-up	4L30E	18120A

MOLDED PISTONS

Year	Application	Piston
90-up	Overrun Clutch Pison	18553A
90-up	4th Clutch Accumulator Cover	18740A

TH200, TH200C

REBUILDER KITS

Year	Application	Deluxe Kit	Rebuild Kit	Banner Kit	Overhaul Kit	Gasket Kit
76-81	TH200	21000	21001	21002	21003	21004
76-87	TH200C (1)	21000A	21001A	21002	21003	21004
76-87	External Seal Kit	21005				
84-87	Intermediate Servo Seal Kit	21006				

(1) Kit includes Intermediate Servo Seal Kit; do not order separately.

STEEL KITS

Year	Application	Steel Kit
76-87	TH200/ C	21120

TH200-4R

REBUILDER KITS

Year	Application	Deluxe Kit	Rebuild Kit	Banner Kit	Overhaul Kit	Gasket Kit
81-90	TH200-4R (1)	21000B	21001B	21002B	21003B	21004B
81-90	External Seal Kit	21005B				
84-90	Intermediate Servo Seal Kit	21006				

(1) Kit includes Intermediate Servo Seal Kit; do not order separately.

STEEL KITS

Year	Application	Steel Kit
81-90	TH200-4R	21120B

GENERAL MOTORS

TH350, TH350C, TH250C

REBUILDER KITS

Year	Application	Deluxe Kit	Rebuild Kit	Banner Kit	Overhaul Kit	Gasket Kit
69-86	TH350/ C	35000	35001	35002	35003	35004
80-84	TH250C		35001A	35002A	35003A	35004
69-up	External Seal Kit (All)	35005				

STEEL KITS

Year	Application	Steel Kit
69-86	TH350/ C	35120
80-84	TH250C	35120A

TH400, 375, 475 (RWD) - TH425 (FWD)

REBUILDER KITS

Year	Application	Deluxe Kit	Rebuild Kit	Banner Kit	Overhaul Kit	Gasket Kit
65-92	TH400, 375, 475 - RWD (1)	24000	24001	24002	24003	24004
66-78	TH425 - FWD		24001A	24002A	24003A	24004A
65-92	External Seal Kit	24005				

(1) Contains 2.760" O.D. extension housing seal; order other seals separately.

STEEL KITS

Year	Application	Steel Kit
65-up	TH400, 425	24120

GENERAL MOTORS

TH700-R4, 4L60, 4L60E

REBUILDER KITS

Year	Application	Deluxe Kit	Rebuild Kit	Banner Kit	Overhaul Kit	Gasket Kit
82-84	700-R4	37000	37001	37002	37003	37004
85-86	700-R4	37000A	37001A	37002A	37003	37004
87-93	700-R4	37000B	37001B	37002B	37003	37004
93-97	4L60E - .079" 3/4 High Energy (1) (3)	37000C	37001C	37002C	37003C	37004C
98-up	4L60E - .079" 3/4 High Energy (1) (3)	37000D	37001D	37002D	37003C	37004C
82-up	External Seal Kit (All)	37005				
Optional Heavy Duty Kits w/ High Energy Components						
82-84	700-R4 - .062" 3/4 High Energy (2)		37001-HE	37002-HE		
85-86	700-R4 - .062" 3/4 High Energy (2)		37001A-HE	37002A-HE		
87-93	700-R4 - .062" 3/4 High Energy (2)		37001B-HE	37002B-HE		
93-97	4L60E - .062" 3/4 High Energy (2) (3)		37001C-HE	37002C-HE		
98-up	4L60E - .062" 3/4 High Energy (2) (3)		37001D-HE	37002D-HE		

(1) Kit includes Shallow pan filter; order Deep pan (37160D-SP) & Corvette (37160E-SP) filters separately.

(2) Optional Heavy Duty Kits - Contain: High Energy thin 3/4 frictions; thin 3/4 steels; 3/4 Pressure Plate; High Energy Band.

(3) Order 37185A Corvette extension housing seal and 37160E_SP filter for 1997-up Corvettes.

STEEL KITS

Year	Application	Steel Kit
82-84	700-R4	37120
85-86	700-R4	37120A
87-1/93	700-R4, 4L60E	37120B
2/93-96	4L60E	37120C
97-up	4L60E - w/ Turbulator Steels	37120D
01-up	4L60E - w/ 6.0L eng.	37120E

MOLDED CLUTCH PISTONS

Year	Application	Piston
93-up	3/4 Clutch (4)	37543A
97-up	Forward Clutch (4)	37547A
97-up	Overrun (4)	37553A

(4) All three molded pistons will retro to 1982 if used with updated Overrun Return Spring Pack 37573A.

Doug Nash(MK2 / MK5) (1984-88 Corvette w/ 4-speed Overdrive)

REBUILDER KITS

Year	Application	Deluxe Kit	Rebuild Kit	Banner Kit	Overhaul Kit	Gasket Kit
84-88	Doug Nash			11002	11003	

STEEL KITS

Year	Application	Steel Kit
84-88	Doug Nash	11120

GENERAL MOTORS

4L80E

REBUILDER KITS

Year	Application	Deluxe Kit	Rebuild Kit	Banner Kit	Overhaul Kit	Gasket Kit
91-95	4L80E (1)	25000	25001	25002	25003	25004
1996	4L80E - High Energy (1)	25000A	25001A	25002A	25003	25004
97-up	4L80E - High Energy	25000B	25001B	25002A	25003	25004

(1) Order 25015A-F pan gasket separately for Jaguar applications.

STEEL KITS

Year	Application	Steel Kit
91-96	4L80E	25120
97-up	4L80E - w/ Turbulator Steels	25120A

MOLDED PISTONS

Year	Application	Piston
91-up	Overrun Clutch	25553
97-up	Direct Clutch (retros to 1991)	25546A
97-up	Forward Clutch - Outer	25547
97-up	Forward Clutch - Inner - .050" (2)	25547-1
97-up	Forward Clutch - Inner - .070" (2)	25547-2
97-up	Forward Clutch - Inner - .086"(1)	25547-3

(1) Most popular sleeve height (included in Deluxe Kit)

(2) Not available - use 25547-3

ATX

REBUILDER KITS

Year	Application	Deluxe Kit	Rebuild Kit	Banner Kit	Overhaul Kit	Gasket Kit
81-85	ATX - Teflon Rings	49000	49001	49002	49003	49004
86-91	ATX - Teflon Rings (1)	49000A	49001A	49002	49003	49004
92-94	ATX - Teflon Rings (2)	49000B	49001B	49002B	49003	49004

(1) Contains band for short band strut

(2) Contains wide friction lining for use with small I.D. steels (6.080" I.D. Intermediate Steel & 3.146" I.D. Reverse Steel)

STEEL KITS

Year	Application	Steel Kit
81-91	ATX	49120
92-94	ATX (3)	49120B

(3) Contains small I.D. steels (6.080" I.D. Intermediate Steel & 3.146" I.D. Reverse Steel)

CD4E

REBUILDER KITS - Kits do not include molded rubber Servo Pistons

Year	Application	Deluxe Kit	Rebuild Kit	Banner Kit	Overhaul Kit	Gasket Kit
93-1/8/98	CD4E - 1.4L, 2.0L, 2.5L (1)	61000	61001	61002	61003	61004
1/9/98-up	CD4E - 1.4L, 2.0L, 2.5L (1)	61000A	61001A	61002	61003	61004
01-up	CD4E - 3.0L	61000B	61001B	61002	61003	61004
01-up	External Seal Kit	61005				

(1) Kit contains 2.05" wide band; the wide band will replace the narrow band.

STEEL KITS

Year	Application	Steel Kit
93-up	CD4E	61120

MOLDED CLUTCH & SERVO PISTONS

Year	Application	Piston
93-up	Reverse Clutch	61554
93-1/8/98	Coast Clutch	61545
1/9/98-up	Coast Clutch	61545A
93-up	OD Servo - 2 Groove - w/ spring	61707
93-up	OD Servo - 1 Groove - w/ spring	61707A
93-up	OD Servo - 0 Groove - w/ spring	61707B
1/97-4/98	OD Servo - 2 Groove - w/o spring	61707D
1/97-4/98	OD Servo - 1 Groove - w/o spring	61707E
1/97-4/98	OD Servo - 0 Groove - w/o spring	61707F
93-up	OD Servo Piston Cover	61717

AXOD, AXOD-E (AX4S, 4F46S), AX4N

REBUILDER KITS

Year	Application	Deluxe Kit	Rebuild Kit	Banner Kit	Overhaul Kit	Gasket Kit
86-90	AXOD	67000	67001	67002	67003	67004
1991	AXODE	67000A	67001A	67002A	67003A	67004A
92-95	AXODE (1) (2)	67000B	67001B	67002B	67003A	67004A
96-98	AX4S - High Energy (1) (5) (6)	67000C	67001C	67002C	67003A	67004A
99-up	AX4S - High Energy (1)(6)	67000D	67001D	67002D	67003D	67004D
94-95	AX4N - Taurus/ Sable (1) (3)	67000NA	67001NA	67002NA	67003NA	67004NA
96-99	AX4N - Taurus/ Sable (1) (4) (5) (6)	67000NB	67001NB	67002NB	67003NA	67004NA
94-99	AX4N - Lincoln (1) (3) (5) (6)	67000NC	67001NC	67002NB	67003NA	67004NA
00-up	AX4N (1) (4) (6)	67000ND	67001ND	67002ND	67003ND	67004ND
86-95	External Seal Kit AXOD, AXODE	67005				
96-up	External Seal Kit AX4S	67005C				

(1) Kit contains paper valve body gaskets. Order bonded valve body plates separately.

(2) Kit contains filter with .250" Orange Seal; please order 67160B-SP (.500" Orange Seal) for 1993-95 SHO applications.

(3) Kit contains filter with .500" Orange Seal.

(4) Kit contains filter with Green Seal; please order 67160B-SP (.500" Orange Seal) separately for Lincoln.

(5) Deluxe Kit contains 67547D & 67707 molded pistons; for 1998-99 applications please order 67547E & 67707A separately.

(6) Kits do not include Rubber Pan and Side cover gaskets; please order separately.

STEEL KITS

Year	Application	Steel Kit
86-91	AXOD, AXODE	67120
92-98	AXODE, AX4S	67120B
99-up	AX4S	67120D
94-99	AX4N - All except below	67120NA
00-up	AX4N - All except below	67120ND
95-97	AX4N - Lincoln	67120NA
98-up	AX4N - Lincoln	67120ND
96-98	AX4N - SHO Taurus	67120NS
99-up	AX4N - SHO Taurus	67120ND

I.D. Tip

AX4S = 17 bolt pan (both servos located in side of case)

AX4N = 19 bolt pan (both servos located in pan)

MOLDED CLUTCH & SERVO PISTONS

Year	Application	Piston
AXOD-E, AX4S (All) - Molded Servo Pistons		
94-97	Overdrive Servo - Slip-fit	67707
98-up	Overdrive Servo - Press-fit	67707A
AXOD-E, AX4S (93-95 SHO) - Molded Clutch Pistons		
93-95	Direct Clutch	67546A
1993	Direct - Apply Ring	67546A-1
93-95	Intermediate Clutch	67549A
93-95	Intermediate Clutch - Retainer	67549A-1
AXOD-E, AX4S (96-up 3.8L Windstar) - Molded Clutch Pistons		
96-97	Forward Clutch - .825" Tall	67547D
98-up	Forward Clutch - .980" Tall	67547E
96-up	Direct Clutch	67546A
96-up	Intermediate Clutch	67549A
96-up	Intermediate Clutch - Retainer	67549A-1
AX4N - Molded Clutch & Servo Pistons		
94-97	Forward Clutch - .825" Tall	67547D
98-up	Forward Clutch - .980" Tall	67547E
94-up	Direct Clutch	67546A
94-up	Intermediate	67549A
94-up	Intermediate - Retainer	67549A-1
94-up	Low/ Intermediate	67550
94-97	Overdrive Servo - Slip-fit	67707
98-up	Overdrive Servo - Press-fit	67707A
94-up	Coast Servo Piston	67706
94-up	Coast Servo Piston Cover	67716

AOD

REBUILDER KITS - Kits do not include molded rubber Servo Pistons

Year	Application	Deluxe Kit	Rebuild Kit	Banner Kit	Overhaul Kit	Gasket Kit
80-83	AOD (1)	41000	41001	41002	41003	41004
83-93	AOD - 2wd Filter (2)	41000A-2	41001A-2	41002A	41003	41004
83-93	AOD - 4wd Filter (2)	41000A-4	41001A-4	41002A	41003	41004
83-93	External Seal Kit	41005				

(1) Contains .079" Reverse Frictions

(2) Contains .061" Reverse Frictions

STEEL KITS

Year	Application	Steel Kit
80-93	AOD - Cast Drums	41120
90-93	AOD - Cast & Steel Drum Combo	41120A

MOLDED SERVO PISTONS

Year	Application	Piston
80-up	Reverse Servo - 1 Groove	42708
80-up	Reverse Servo - 2 Groove	42708A
80-up	Reverse Servo - 3 Groove	42708B
80-up	Reverse Servo Cover	42716

AOD-E, 4R70W

REBUILDER KITS - Kits do not include molded rubber Servo Pistons

Year	Application	Deluxe Kit	Rebuild Kit	Banner Kit	Overhaul Kit	Gasket Kit
92-95	AODE - 2wd (1)	41000E	41001E	41002E	41003E	41004E
92-93	AODE - 4wd (1)	41000E	41001E	41002E	41003E	41004E
94-95	AODE - 4wd (2)	41000E-4	41001E-4	41002E	41003E	41004E
93-95	4R70W - 2wd (1)	41000F	41001F	41002F	41003E	41004E
1993	4R70W - 4wd (1)	41000F	41001F	41002F	41003E	41004E
94-95	4R70W - 4wd (2)	41000F-4	41001F-4	41002F	41003E	41004E
96-up	4R70W - 2wd & 4wd (2)	41000G	41001G	41002G	41003G	41004G
92-up	External Seal Kit (All)	41005E				

(1) Kit contains the filter with no inlet tube (42160-SP)

(2) Kit contains the filter with .900" long inlet tube (42160A-SP)

STEEL KITS

Year	Application	Steel Kit
92-95	AODE, 4R70W	41120E
96-up	4R70W	41120F

MOLDED SERVO PISTONS

Year	Application	Piston
92-up	Reverse Servo - 1 Groove	42708
92-up	Reverse Servo - 2 Groove	42708A
92-up	Reverse Servo - 3 Groove	42708B
92-up	Reverse Servo Cover	42716

C3

REBUILDER KITS - Kits do not include molded rubber Servo Pistons

Year	Application	Deluxe Kit	Rebuild Kit	Banner Kit	Overhaul Kit	Gasket Kit
74-89	C3 (1)		46001	46002	46003	46004
74-89	External Seal Kit	46005				

(1) All kits contain band nuts

STEEL KITS

Year	Application	Steel Kit
74-77	C3	46120
78-89	C3	46120A

MOLDED SERVO PISTONS

Year	Application	Piston
74-80	Intermediate Servo - 2.100"	46707
78-83	Intermediate Servo - 1.945"	46703
83-89	Intermediate Servo - 1.830"	46703A

5R55N, 5R55W

REBUILDER KITS - Kits do not include molded rubber Servo Pistons

Year	Application	Deluxe Kit	Rebuild Kit	Banner Kit	Overhaul Kit	Gasket Kit
99-up	5R55N, 5R55W - w/ V6		46001G	46002G	46003G	46004G
99-up	5R55N, 5R55W - w/ V8		46001H	46002H	46003G	46004G

STEEL KITS

Year	Application	Steel Kit
99-up	5R55N, 5R55W	46120G

MOLDED CLUTCH & SERVO PISTONS

Year	Application	Piston
00-up	Intermediate Clutch	46549
00-up	Forward Clutch - Cushion	46547P
00-up	Intermediate Servo - 2.580"	46703S
00-up	Intermediate Servo - 2.770"	46703P
00-up	Overdrive Servo - 2.580"	46707T
00-up	Overdrive Servo - 2.900"	47707R
00-up	Reverse Servo	47708W

A4LD, 4R44E, 4R55E, 5R55E

REBUILDER KITS - Kits do not include molded rubber Servo Pistons

Year	Application	Deluxe Kit	Rebuild Kit	Banner Kit	Overhaul Kit	Gasket Kit
1985	A4LD - 2wd Filter (1)	46000B-2	46001B-2	46002B	46003B	46004B
1985	A4LD - 4wd Filter (1)	46000B-4	46001B-4	46002B	46003B	46004B
86-89	A4LD - 2wd Filter (1)	46000C-2	46001C-2	46002B	46003B	46004B
86-89	A4LD - 4wd Filter (1)	46000C-4	46001C-4	46002B	46003B	46004B
90-96	A4LD - 2wd Filter (1) (2)	46000D-2	46001D-2	46002D	46003B	46004B
90-96	A4LD - 4wd Filter (1) (2)	46000D-4	46001D-4	46002D	46003B	46004B
95-96	4R44E/ 55E - 2wd Filter (1)	46000E-2	46001E-2	46002E	46003E	46004E
95-96	4R44E/ 55E - 4wd Filter (1)	46000E-4	46001E-4	46002E	46003E	46004E
97-up	4R44E/ 55E, 5R55E - 2wd Filter (1)	46000F-2	46001F-2	46002F	46003F	46004E
97-up	4R44E/ 55E, 5R55E - 4wd Filter (1)	46000F-4	46001F-4	46002F	46003F	46004E
85-96	External Seal Kit (All)	46005B				
97-up	External Seal Kit (All)	46005F				

(1) Kit includes band nuts.

(2) Kit does not contain the Overdrive "Split" Band for 1990-91 4.0L applications; please order 46155A-BW separately.

STEEL KITS

Year	Application	Steel Kit
85-89	A4LD	46120B
90-96	A4LD, 4R44E, 4R55E	46120D
97-up	4R44E, 5R55E	46120F

MOLDED SERVO PISTONS

Year	Application	Piston
85-up	Intermediate Servo - BB cover	46703
85-99	Intermediate Servo - CA/CB cover	46703A
85-up	Intermediate Servo - DB cover	46703D
90-97	Intermediate Servo - FB cover	46703B
90-up	Intermediate Servo - EB cover	46703C
97-up	Intermediate Servo - AA/AB cover	46707
85-up	Overdrive Servo - AA cover	46707
85-up	Overdrive Servo - BB cover	46703
90-96	Overdrive Servo - CA/CB cover	46703A
97-up	Overdrive Servo - ZC cover	46707A

C6

REBUILDER KITS - Kits do not include molded rubber Servo Pistons

Year	Application	Deluxe Kit	Rebuild Kit	Banner Kit	Overhaul Kit	Gasket Kit
68-72	C6 - w/ 2wd Filter (1) (2)	56000	56001	56002	56003	56004
72-75	C6 - w/ 2wd Filter (1) (3) (4)	56000A	56001A	56002	56003	56004
76-96	C6 - w/ 2wd Filter (1) (3) (4)	56000B	56001B	56002B	56003	56004
68-96	C6	56005				

- (1) Kit does not include extension seal for Trucks; please order 40185D separately.
 (2) Kit contains Thread-in Modulator, please order Push-in for Lincoln separately.
 (3) Kit contains Push-in Modulator.
 (4) Kit includes 2wd Filter; please order 4wd Filter separately.

STEEL KITS

Year	Application	Steel Kit
68-96	C6	56120

MOLDED SERVO PISTONS

Year	Application	Piston
66-74	Servo - L, J, CA - 2.095"	56701
74-up	Servo - N, Z, BA - 1.960"	56701A
75-79	Servo - P, DA - 2.130"	56701B
74-up	Servo - S, O, AA - 2.050"	56701C

E4OD, 4R100

REBUILDER KITS

Year	Application	Deluxe Kit	Rebuild Kit	Banner Kit	Overhaul Kit	Gasket Kit
89-95	E4OD - 2wd Filter	57000-2	57001-2	57002	57003	57004
89-95	E4OD - 4wd Filter	57000-4	57001-4	57002	57003	57004
96-4/97	E4OD - Shallow Pan Filter	57000A-2	57001A-2	57002A	57003A	57004A
96-4/97	E4OD - Deep Pan Filter	57000A-4	57001A-4	57002A	57003A	57004A
5/97-99	E4OD, 4R100 Cast Coast Drum (1)	57000B-2	57001B-2	57002B	57003A	57004A
1/98-up	4R100 Stamped Coast Drum (1) (2)	57000C-2	57001C-2	57002C	57003A	57004A
89-95	External Seal Kit - E4OD	57005				
96-up	External Seal Kit - E4OD, 4R100	57005A				

- (1) Kit contains shallow pan filter, please order deep pan filter separately.
 (2) Some applications require 3.180" Extension Seal, please order separately. Please order P.T.O. gasket separately.

STEEL KITS

Year	Application	Steel Kit
89-4/97	E4OD - Cast Coast Drum	57120
5/97-up	E4OD, 4R100 - Stamped Coast (3)	57120B

- (3) Kit contains .123" Intermediate Steels, please order .080" Intermediate Steels if required until 1998. Kit contains steels for Stamped Coast Drum, please order (2) 57126 Cast Coast Drum steels if required.

MOLDED CLUTCH & SERVO PISTONS

Year	Application	Piston
96-up	Overdrive Clutch	57551A
98-up	Coast Clutch w/ Stamped Drum	57545A
89-up	Intermediate Servo - 2nd Design (4)	57703

- (4) Remove servo piston retainer & snap ring to retro to 1989 (Included in Deluxe Kits)

C4, C5

REBUILDER KITS

Year	Application	Deluxe Kit	Rebuild Kit	Banner Kit	Overhaul Kit	Gasket Kit
65-69	C4 (1)	54000	54001	54002	54003	54004
70-81	C4 (1) (2)	54000A	54001A	54002A	54003A	54004A
82-86	C5 (1) (3)	54000B	54001B	54002B	54003B	54004B
67-86	External Seal Kit - C4, C5	54005				

- (1) Kit includes band nuts.
- (2) Kit includes 54160A Filter for shallow pan; please order filter for deep pan or filter for 73-77 Bronco separately.
- (3) Kit includes 54160B Filter for shallow pan; please order 54160C deep pan filter separately.

STEEL KITS

Year	Application	Steel Kit
65-82	C4	54120
82-86	C5	54120B

MOLDED SERVO PISTONS

Year	Application	Piston
65-86	Reverse Servo	54708

FMX, Cruisomatic (Small & Medium Case)

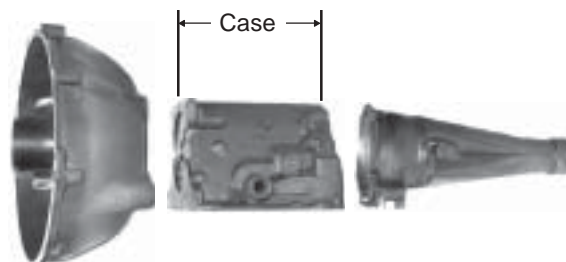
REBUILDER KITS

Year	Application	Deluxe Kit	Rebuild Kit	Banner Kit	Overhaul Kit	Gasket Kit
63-67	Small Case (FX)			40002	40003	40004
68-81	Small Case (FMX)	40000A	40001A	40002A	40003A	40004A
55-67	Medium Case (MX)			40002B	40003B	40004B
68-72	Medium Case (MX)			40002C	40003C	40004C

STEEL KITS

Year	Application	Steel Kit
63-67	Small Case (FX)	40120
68-81	Small Case (FMX)	40120A
55-67	Medium Case (MX)	40120B
68-72	Medium Case (MX)	40120C

9 7/8" = Small Case (FX, FMX)
 10 7/32" = Medium Case (MX)
 10 7/8" = Large Case (58-60) - Not available
 11 1/2" = Large Case (61-65) - Not available



2-Speed

REBUILDER KITS

Year	Application	Deluxe Kit	Rebuild Kit	Banner Kit	Overhaul Kit	Gasket Kit
59-64	2-Speed Ford			39002		

STEEL KITS

Year	Application	Steel Kit
59-64	2-Speed Ford	39120

Borg Warner 8 & 12

REBUILDER KITS

Year	Application	Deluxe Kit	Rebuild Kit	Banner Kit	Overhaul Kit	Gasket Kit
56-74	Borg Warner 8 & 12			914002	914003	914004

STEEL KITS

Year	Application	Steel Kit
56-61	Borg Warner 8 & 12	914120

A404, A413, A470, A670

REBUILDER KITS

Year	Application	Deluxe Kit	Rebuild Kit	Banner Kit	Overhaul Kit	Gasket Kit
78-82	A404	83000	83001	83002	83003	83004
81-82	A413, A470, A670	83000A	83001A	83002A	83003A	83004
83-95	A413, A470, A670	83000B	83001B	83002A	83003A	83004
96-up	A413, A470, A670 w/ H.E. Band	83000C	83001C	83002A	83003A	83004
78-up	External Seal Kit (All)	83005				

STEEL KITS

Year	Application	Steel Kit
78-82	A404	83120
81-up	A413, A470, A670	83120A

A604 Ultradrive (40TE, 41TE, 41AE)

REBUILDER KITS

Year	Application	Deluxe Kit	Rebuild Kit	Banner Kit	Overhaul Kit	Gasket Kit
88-89	A604	84000	84001	84002	84003	84004
90-92	A604	84000A	84001A	84002A	84003	84004
93-up	A604 w/ High Energy Frictions	84000B	84001B	84002B	84003	84004
88-up	External Seal Kit	84005				
88-up	Solenoid Block Repair	84006				
88-up	Accumulator O-rings & Teflon Stator Rings	84007				

STEEL KITS

Year	Application	Steel Kit
88-89	A604	84120
90-up	A604	84120A

MOLDED PISTON RETAINER

Year	Application	Piston
89-up	Underdrive Piston Retainer	84595

A606 (42LE)

REBUILDER KITS

Year	Application	Deluxe Kit	Rebuild Kit	Banner Kit	Overhaul Kit	Gasket Kit
93-up	A606	84000L	84001L	84002L	84003L	84004L
93-up	External Seal Kit	84005L				
93-up	Solenoid Kit Repair	84006				

STEEL KITS

Year	Application	Steel Kit
93-up	A606	84120L

MOLDED PISTON RETAINER

Year	Application	Piston
83-up	Underdrive Piston Retainer	84595

45RFE

REBUILDER KITS

Year	Application	Deluxe Kit	Rebuild Kit	Banner Kit	Overhaul Kit	Gasket Kit
99-up	2wd		71001	71002	71003	71004
99-up	4wd		71001A	71002	71003	71004

STEEL KITS

Year	Application	Steel Kit
99-up	All	71120

MOLDED PISTON RETAINER

Year	Application	Piston
99-up	Underdrive Piston	71555
99-up	Underdrive Balance Piston	71556

A904 (30RH), A998 (31RH), A999 (32RH), Torqueflite 6

REBUILDER KITS

Year	Application	Deluxe Kit	Rebuild Kit	Banner Kit	Overhaul Kit	Gasket Kit
60-71	TF6	74000	74001	74002	74003	74004
72-93	A904 w/ 1.400" narrow band	74000A	74001A	74002A	74003A	74004A
92-up	A904 w/ 1.600" wide band (1)	74000B	74001B	74002A	74003A	74004A
73-86	A904 - Arrow, Colt	74000C	74001C	74002C	74003C	74004C
66-up	External Seal Kit	74005				

(1) Some 1997 32RH units require a booted dipstick tube seal instead of an o-ring; please order separately.

STEEL KITS

Year	Application	Steel Kit
60-up	TF6, A904 including Arrow, Colt	74120

A500 (40RH/42RH), A500SE (42RE), 44RE

REBUILDER KITS

Year	Application	Deluxe Kit	Rebuild Kit	Banner Kit	Overhaul Kit	Gasket Kit
88-99	A500, 42RH, 42RE, 44RE - w/ Dacron Filter (1)	74000E	74001E	74002E	74003E	74004E
97-up	42RE, 44RE - w/ Plastic Filter (1)	74000F	74001F	74002E	74003E	74004E
88-up	External Seal Kit	74005E				

(1) 97-99 units may have either the Dacron or the Plastic filter (you must do visual ID)

STEEL KITS

Year	Application	Steel Kit
88-up	A500 (40RH, 42RH, 42RE, 44RE)	74120E

A727 (36RH), A727HD (37RH), Torqueflite 8

REBUILDER KITS

Year	Application	Deluxe Kit	Rebuild Kit	Banner Kit	Overhaul Kit	Gasket Kit
62-70	TF8	77000	77001	77002	77003	77004
71-up	A727 (1)	77000A	77001A	77002A	77003A	77004A
62-up	External Seal Kit	77005				

(1) Some 1997 36RH units require a booted dipstick tube seal instead of an o-ring; please order separately.

STEEL KITS

Year	Application	Steel Kit
62-up	TF8, A727	77120

A518 (46RH/RE), A618 (47RH/RE)

REBUILDER KITS

Year	Application	Deluxe Kit	Rebuild Kit	Banner Kit	Overhaul Kit	Gasket Kit
90-97	A518, 46RH/RE (1) (except 1997 Cherokee, Dakota w/ 46RE)	77000E	77001E	77002E	77003E	77004E
98-up	46RE - (1) high energy, thin high/ rev frictions	77000F	77001F	77002F	77003E	77004E
1997	Cherokee, Dakota w/ 46RE (1)	77000F	77001F	77002F	77003E	77004E
94-97	47RH/E - V10 Gas & Diesel (1)	77000G	77001G	77002G	77003E	77004E
98-up	47RE - V10 Gas & Diesel (1)	77000H	77001H	77002H	77003E	77004E
90-up	External Seal Kit (All)	77005E				

(1) Kits contain Dacron Filter. 97-99 units may have either the Dacron or the Plastic filter (you must do visual ID)

STEEL KITS

Year	Application	Steel Kit
90-97	A518/ A618	77120E
98-up	46RE	77120F
98-up	47RE	77120H

Toyota A10, 20, 30

REBUILDER KITS

Year	Application	Deluxe Kit	Rebuild Kit	Banner Kit	Overhaul Kit	Gasket Kit
65-E70	AW10			967002		
70-74	AW20			967002A		
68-76	AW30			967002B	967003B	967004B

STEEL KITS

Year	Application	Steel Kit
65-70	A10	967120
70-74	A20	967120A
68-78	A30	967120B

Toyota A40 series Identification Tag Chart

TOYOTA Identification Chart

<u>Model I.D. Tag</u>	<u>Trans Type</u>	<u>Serial # 3rd Digit</u>	<u>Trans Type</u>
03-50/03-51/03-60	A40D	A	A40
03-55	A40/AW55	B	A40D
03-56	A41	C	A42D
03-70	A42D/AW70	D	A41
03-70L	A42DL/AW70L	E	A43D
03-71/03-73	A43D/AW71	F	A43D
03-71L	A43DL/AW71L	H	A43DL
03-71LE	A43DE, A46DE, A46DF	L	A43DE
03-72	A44D/AW372/	P	A44DL/A45DF/A45DL
03-72L	A44DL/A45DF/A45DL/AW72L		
03-72LE	A44DE		
03-75	A43		

Toyota A40, Volvo BW55, AW70, 71, 72

REBUILDER KITS

Year	Application	Deluxe Kit	Rebuild Kit	Banner Kit	Overhaul Kit	Gasket Kit
73-81	A40, A43			968002	968003	968004
82-83	A41			968002-1	968003-1	968004
76-84	BW55			968002BW	968003BW	968004BW
78-81	A40D			968002DA	968003DA	968004DA
82-85	A40D			968002DB	968003DB	968004DB
80-83	A42D, A43D, AW70, 71, 72 (1) (2)			968002DC	968003DC	968004DC
84-95	A42D, 43D, 44D, AW70, 71, 72 (1) (2) (4)			968002DD	968003DC	968004DC
96-98	A43D Tacoma (2)			968002DE	968003DC	968004DC
82-85	A42DL, 43DL, 44DL (1) (2) (3)			968002LA	968003LA	968004LA
89-94	A45DF 4wd (2)			968002LA	968003LA	968004LA
86-95	A45DL 2wd, 44/45DL, AW70L, 71L, 72L (1) (2) (5)			968002LB	968003LA	968004LA
83-86	A43DE (2) (3)			968002EA	968003EA	968004EA
1986	A43DE (2)			968002EB	968003EA	968004EA
91-up	A44DE, 46DE, 46DF (1) (2)			968002EC	968003EA	968004EA

(1) Kits include only Toyota Extension Housing Seals.

(2) Some units may utilize "waved core" friction plates. If your unit has waved core frictions you must replace them with waved core frictions. Please order them separately.

(3) 1982 A43DE and DL units may require .090" O/D/ Brake frictions, please order separately

(4) Volvo AW70/71/72 may require (1) 970030B, (2) N2823K and (1) 907107, please order separately

(5) Volvo AW70/71L/72L may require (1) 970030C, (2) N2823K, (3) 907107, please order separately

STEEL KITS

Year	Application	Steel Kit
72-93	A40, 41, 43, AW55, BW55	968120BW
77-91	A40D, A42D	968120
79-up	A43D, DE, DL	968120A
81-88	AW70, AW71	968120DC
84-up	A42DL, A44DL, A45DL	968120L
87-92	A44D, KM148, AW372 (retros over 970120L)	968120DD
90-up	A46DE, DF	968120E

Toyota A55

REBUILDER KITS

Year	Application	Deluxe Kit	Rebuild Kit	Banner Kit	Overhaul Kit	Gasket Kit
79-86	A55 (1)			969002	969003	969004

(1) Rebuild kit has 2wd filter and does not contain 4wd extension housing seal

STEEL KITS

Year	Application	Steel Kit
79-86	A55	969120

Toyota A130, A131, A132 - 3 Speed

REBUILDER KITS

Year	Application	Deluxe Kit	Rebuild Kit	Banner Kit	Overhaul Kit	Gasket Kit
84-up	A130L, A131L w/ .069" Reverse Frictions (1) (2) (3)		972001AA	972002AA	972003AA	972004AA
95-up	A131L w/ .059" Reverse Frictions (1) (2) (3)		972001AB	972002AB	973003AA	972004AA
87-94	A132L		972001AA	972002AA	973003AA	972004AA
84-up	A132L		972001AB	972002AB	973003AA	972004AA

(1) Kit contains wide lining Reverse frictions. The wide frictions will work with the wide Reverse steels. If narrow lining frictions are preferred order separately.

(2) Some 1992-98 units require .075" Intermediate frictions. Please order separately.

(3) 1998-up Corollas have .073" Direct frictions. Please order separately.

STEEL KITS

Year	Application	Steel Kit
84-94	A130, A131L, A132L	972120AA
95-up	A132L	972120AB
85-94	MX1 (Nova, Prizm)	972120AA

Toyota A140, A141 - 4 Speed

REBUILDER KITS

Year	Application	Deluxe Kit	Rebuild Kit	Banner Kit	Overhaul Kit	Gasket Kit
Camry						
83-86	A140E/L	972000BA	972001BA	972002BA	972003BA	972004BA
87-1/94	A140E/L	972000BC	972001BC	972002BC	972003BA	972004BA
2/94-up	A140E/L	972000BD	972001BD	972002BD	972003BA	972004BA
Celica						
1986	A140E/L	972000BB	972001BB	972002BB	972003BA	972004BA
87-89	A140E/L	972000BC	972001BC	972002BC	972003BA	972004BA
94-99	A140E	972000BD	972001BD	972002BD	972003BA	972004BA
MR2						
1986	A141E	972000BE	972001BE	972002BE	972003BE	972004BA
Solara						
98-up	A140E	972000BD	972001BD	972002BD	972003BA	972004BA

STEEL KITS

Year	Application	Steel Kit
83-86	A140E/L, A141E, A142E/L	972120BA
87-89	A140E/L, A142E	972120BC
90-up	A140E, A142E	972120BD

Toyota A240 Series - 4-Speed

REBUILDER KITS

Year	Application	Deluxe Kit	Rebuild Kit	Banner Kit	Overhaul Kit	Gasket Kit
85-93	All exc. Below (1)		972001CA	972002CA	972003CA	972004CA
87-97	A241E/ A243L/ MR2 (2) (3)		972001CB	972002CB	972003CA	972004CA
93-up	A245E/ A246E/ A247E (4) (5)		972001CC	972002CC	972003CC	972004CC
92-98	A242L/ A244E		972001CD	972002CD	972003CA	972004CA
88-91	A241H - Transfer Case Section Only				972003CT	

(1) 1992-93 require 3 additional 972110A Intermediate frictions. Please order separately.

(2) The Supercharged MR2 requires (2) 972181A axle seals. Please order separately

(3) 1996-97 RAV4 uses narrow lined Low/Reverse frictions. Kit contains wide lining Low/Reverse frictions. The wide frictions will work with the wide Low/Reverse steels. If narrow lining frictions are preferred order separately.

(4) 1994-96 Celica and 1998-up RAV4 require 3 additional 972110A Intermediate frictions. Please order separately.

(5) 1993-4/95 Corollas require 3 additional 970112B Intermediate frictions. Please order separately.

STEEL KITS

Year	Application	Steel Kit
Celica		
90-93	A243L - 1.6L	972120CA
90-93	A241E - 2.2L	972120CB
94-97	A246E	972120CC
Corolla		
84-92	A240L, A241H	972120CA
93-up	A245E - 1.8L	972120CC
MR2		
87-89	A240L	972120CB
90-95	A241E	972120CE
Paseo		
92-up	A244E	972120CB
RAV4		
96-97	A241E (2WD)	972120CA
98-00	A247E (2WD)	972120CC
Tercel		
95-up	A242L	972120CD

TOYOTA A240 Series I.D. Chart

Cherolet

Nova 85-88 A240E

GEO/ Chevrolet

Prizm 89-92 A240E

93-up A245E

Toyota

Celica GT 90-93 A243L

Celica GTS 90-93 A241E

Celica ST 90-93 A241L

94-99 A246E

Corolla 85-92 A240L

Corolla FX 87-89 A240E

Corolla Wagon 88-92 AWD A241H

Corolla & Wagon 93-up A245E

Paseo 92-97 A244E

MR2 87-88 w/o supercharger A240E

89-95 w/o supercharger A241E

88-89 w/ supercharger A241E

RAV4 96-97 2wd A241E

98-up 2wd A241E

Tercel 95-98 A242L

Toyota A540 - 4-Speed

REBUILDER KITS

Year	Application	Deluxe Kit	Rebuild Kit	Banner Kit	Overhaul Kit	Gasket Kit
88-91	A540E/H		972001DA	972002DA	972003DA	972004DA
92-up	A540E		972001DB	972002DB	972003DA	972004DA
94-up	A541E		972001DC	972002DC	972003DC	972004DC
96-up	A540H - RAV4		972001DD	972002DD	972003DA	972004DA
89-up	A540H - Transfer Case Section for 4WD applications			972002DT	972003DT	

STEEL KITS

Year	Application	Steel Kit
Avalon		
95-97	A541E	972120DD
98-up	A541E	972120DF
Camry		
88-91	A540E - V6	972120DA
89-91	A540H - V6 w/ AWD	972120DE
92-93	A540E - V6	972120DB
94-97	A540E - V6	972120DD
98-01	A541E - V6	972120DF
RAV4		
96-00	A540H - AWD	972120DE
Sienna		
98-00	A540E	972120DC
01-up	A541E	972120DF
Solara		
99-01	A541E	972120DF
Lexus ES250		
89-91	A540E	972120DA
Lexus ES300		
92-93	A540E	972120DC
94-97	A541E	972120DD
98-up	A541E	972120DF

Toyota A540 Series I.D. Chart

Toyota

Avalon	95-up		A541E
Camry	88-91	2.5L 2wd	A540E
	88-91	AWD	A540H
	92-93	3.0L	A540E
	94-up	3.0L DOHC	A541E
RAV4	96-up		A540H
Sienna	98-up		A540E

Lexus

ES250	89-91		A540E
ES300	92-93		A540E
	94-up	DOHC	A541E

Toyota U140, U240 & U340 - 4-Speed FWD

REBUILDER KITS - Kits do not include molded rubber pistons

Year	Application	Deluxe Kit	Rebuild Kit	Banner Kit	Overhaul Kit	Gasket Kit
99-up	U140E/F (2wd) (1) (2)		974001	974002	974003	
00-up	U240E (2)		974001A	974002A	974003	
00-up	U340E, U341E (2)		974001B	974002B	974003B	

(1) Order 4wd components separately

(2) Kits do not include molded rubber pistons. Please order separately

STEEL KITS

Year	Application	Steel Kit
99-up	U140E, U140F	974120
00-up	U240E, U241E	974120A
00-up	U340E, U341E	974120B

MOLDED PISTON KITS

Year	Application	Piston
99-up	U140E, U140F	974540-K
00-up	U240E, U241E	974540A-K
00-up	U340E, U341E	974540B-K

Toyota AW50-40/42LE/42LM, AW42 (4-Speed FWD)

REBUILDER KITS

Year	Application	Deluxe Kit	Rebuild Kit	Banner Kit	Overhaul Kit	Gasket Kit
89-98	All			978002	978003	
99-up	All			978002A	978003	

STEEL KITS

Year	Application	Steel Kit
89-98	LE	978120
99-up	LE	978120A
99-up	LM	978120B

Toyota AW60-40/42LE (4-Speed FWD)

REBUILDER KITS

Year	Application	Deluxe Kit	Rebuild Kit	Banner Kit	Overhaul Kit	Gasket Kit
95-up	All			978002L	978003L	

STEEL KITS

Year	Application	Steel Kit
95-up	60-42LE	978120L

Toyota A340E/F/H, AW4, A341E, A350E, A650E - Rebuild Kits

REBUILDER KITS	Year	Application		Banner Kit
Toyota				
Cressida	87-92	7M-GE	A340E	976002AA
Supra	86-4/93	Non-turbo	A340E	976002AA
	5/93-98	Non-turbo	A340E	976002AA
	87-4/93	Turbo	A340E	976002AB
	5/93-98	Turbo	A340E	976002AC
	Pickup(2wd)	85-87	4cyl. Turbo	A340E
Pickup(4wd)	90-91	6 cyl.	A340E	976002AA
	92-95	6 cyl.	A340E	976002AA
	85-91	4 cyl.	A340H/F	976002AA
	92-95	4 cyl.	A340F	976002AA
	89-91	6 cyl.	A340H	976002AA
Tacoma	92-95	6 cyl.	A340H/F	976002AA
	95-97	6 cyl.	A340E	976002AB
	98-up	6 cyl.	A340E	976002AB
Tacoma(4wd)	95-97	4 cyl.	A340E	976002AD
Tacoma	98-up	4 cyl.	A340E	976002AD
T100(2wd)	93-94	All	A340E/F	976002AA
T100(2wd)	95-97	4 cyl.	A340E	976002AD
T100(2wd)	1998	4 cyl.	A340F	976002AD
T100(2wd)	95-97	6 cyl.	A340F	976002AB
T100(2wd)	1998	6 cyl.	A340F	976002AB
T100(4wd)	1995	6 cyl.	A340F	976002AB
T100(4wd)	96-97	6 cyl.	A340F	976002AB
T100(4wd)	1998	6 cyl.	A340F	976002AB
Tundra	99-up	V6	A340E/F	976002AB
Tundra	99-up	V8	A343E/F	976002B
4-Runner(2wd)	89-91	6 cyl.	A340E	976002AA
	92-95	6 cyl.	A340E	976002AA
	96-up	4 cyl.	A340E	976002AD
	96-up	6 cyl.	A340E	976002AD
4-Runner(4wd)	85-91	4 cyl.	A340H	976002AA
	92-95	4 cyl.	A340H/F	976002AA
	96-up	4 cyl.	A340F	976002AD
4-Runner(4wd)	88-91	6 cyl.	A340H	976002AA
	92-95	6 cyl.	A340H/F	976002AA
	96-up	6 cyl.	A340F	976002AB
Landcruiser	1/95-up	All	A343F	976002B
Previa	94-97	Supercharged	A340F	976002AB
Toyota Transfer Case	85-94	not 340F	A340H	976002-T
Lexus				
GS300	93-95	3.0L	A341E	976002AD
GS300(5 sp)	96-97	3.0L	A350E	976002C
GS300(5 sp)	98-up	3.0L	A650E	976002D
GS400(5 sp)	98-up	4.0L	A650E	976002D
IS300(5 sp)	01-up	3.0L	A650E	976002D
SC300	92-94	3.0L	A340E	976002AA
SC300	95-00	3.0L	A340E	976002AA
LS/SC400	90-97	4.0L	A341E	976002AC
LS/SC400/430(5 sp)	98-up	4.0/ 4.3L	A650E	976002D
LX450, LX470	96-up	4.5/ 4.7L	A343F	976002B
Isuzu, Jeep, Mitsubishi, Volvo				
Trooper	88-91	2.6, 2.8L	3080LE/340H	976002AA
Cherokee(4wd)	87-up	4 cyl.	AW4/A340F	976002AA
	87-up	6 cyl.	AW4/A340F	976002AB
Comanche, Wagoneer	87-93	6 cyl.	AW4/A340F	976002AB
Grand Cherokee	93-98	6 cyl.	AW4/A340F	976002AB
Montero	94-00	6 cyl.	V4AW3/340F	976002AA
960	92-97	6 cyl.	AW3040/341E	976002AC
S90/ V90	97-98	6 cyl.	AW3043/343E	976002B

Toyota A340E/F/H, AW4, A341E, A350E, A650E - Steel Kits

REBUILDER KITS

Year	Application	Overhaul Kit	Gasket Kit
85-up	A340H/E/F, A341E	976003	976004
95-up	A343E/F & 350E	976003A	976004
98-up	A650E	976003D	976004
85-94	Transfer Case Section	976003-T	

STEEL KITS - Toyota

Application	Steel Kit
Cressida 85-92	976120
Supra 86-97 Non-Turbo	976120
98-up Non-Turbo	976120C
85-93 Turbo	976120E
94-up Turbo	976120G
4Runner & Pickup 85-95 2wd w/ 4cyl.	976120
96-up 2wd w/ 4cyl.	976120H
90-91 All 4wd	976120
92-95 All 4wd	976120H
96-99 4wd w/ V6	976120
Landcruiser 95-99 A343	976120
00-up A343	976120B
Previa 90-up 2wd	976120C
90-94 4wd	976120
95-up 4wd	976120C
Sequoia 00-up	976120K
T100 93-97 4 cyl.	976120C
93-94 V6	976120
95-98 V6	976120H
Tacoma 95-97 4 cyl.	976120F
98-up 4 cyl.	976120H
95-up V6	976120H
Tundra 99-up	976120

STEEL KITS - Lexus, Isuzu, Jeep, Volvo, Transfer Case

Application	Steel Kit
Lexus GS300, GS400, IS300 96-97 A350E	976120C
98-up A650E (5 speed)	976120D
LS400, SC430 95-97	976120E
98-up A650E (5 speed)	976120D
LX450, LX470 96-up	976120
SC300, SC400 92-up SC300	976120C
91-97 SC400	976120G
Isuzu Trooper 88-91	976120
Jeep 87-01	976120J
Mitsubishi Montero/ Pajero 94-95	976120
96-up	976120H
Volvo 960 91-97	976120V
Transfer Case 88-95	976120T

Toyota A440F, A442F

REBUILDER KITS

Year	Application	Deluxe Kit	Rebuild Kit	Banner Kit	Overhaul Kit	Gasket Kit
86-92	A440F			977002AA	977003	
93-95	A442F			977002AB	977003	
86-95	Transfer Case Section				977003-T	

STEEL KITS

Year	Application	Steel Kit
85-89	A440	977120
90-92	A440	977120A
93-95	A442	977120B

Jatco F3A, KF100 3-Speed FWD

REBUILDER KITS

Year	Application	Deluxe Kit	Rebuild Kit	Banner Kit	Overhaul Kit	Gasket Kit
81-97	All (1)			920002	920003	92004

(1) Kits contain axle seals for Fords and Mazdas. For other applications order axle seals separately

STEEL KITS

Year	Application	Steel Kit
81-93	F3A	920120
94-97	Ford Aspire	920120A

Jatco JF403E, Mazda LJ4A-EL

REBUILDER KITS

Year	Application	Deluxe Kit	Rebuild Kit	Banner Kit	Overhaul Kit	Gasket Kit
90-93	JF403E			931002	931003	931004
94-up	LJ4A-EL - Millenia (1)			931002A	931003	931004

(1) Some pre-6/94 units will require (4) N82103A High frictions (w/ 21 Teeth).

STEEL KITS

Year	Application	Steel Kit
90-93	JF403E	931120
94-up	LJ4A-EL	931120A

Jatco 3N71B 3-Speed RWD

REBUILDER KITS

Year	Application	Deluxe Kit	Rebuild Kit	Banner Kit	Overhaul Kit	Gasket Kit
71-88	3N71B (1)			925002	925003	925004

(1) This kit contains (7) 920107 and (4) 925131 friction plates. The 280Z & ZX require additional friction plates. Order separately

STEEL KITS

Year	Application	Steel Kit
71-87	All	925120

Jatco 4N71B, N4A-HL, N4A-EL 4-Speed RWD

REBUILDER KITS

Year	Application	Deluxe Kit	Rebuild Kit	Banner Kit	Overhaul Kit	Gasket Kit
83-95	4N71B, N4A-HL (1) (2)	925000A		925002A	925003A	925004A
88-97	N4A-EL, NC4A-EL (3)			925002B	925003B	925004B

(1) Kits include Nissan extension housing seal only.

(2) For 300ZX Turbo, please order (2) additional 920107 frictions separately

(3) For Mazda Miata, please order 925185F Extension Housing Seal separately

STEEL KITS

Year	Application	Steel Kit
83-85	4N71B	925120A
1986	4N71B	925120AA
1987-93	4N71B - exc. Below	925120AB
91-97	4N71B - Miata	925120AC
89-95	4N71B - MPV	925120AC
90-93	4N71B - Pickup B2600	925120AC
88-91	N4A-EL - Mazda 929	925120B
89-92	N4A-EL - Mazda RX7	925120B

Jatco JR403E, Nissan RG4-R01A, RE4-R03A

REBUILDER KITS

Year	Application	Deluxe Kit	Rebuild Kit	Banner Kit	Overhaul Kit	Gasket Kit
Infiniti						
90-96	Q45 - RE4R03A			927002GB	927003G	927004G
97-up	Q45 - RE4R03A			927002GA	927003G	927004G
Nissan						
90-96	300ZX Turbo - RE4R03A			927002GA	927003G	927004G
2 Ton Trucks						
88-up	Isuzu, Mitsubishi, Nissan, Some GM RG4R01A/ JR403E			927002R	927003R	927004R

STEEL KITS

Year	Application	Steel Kit
89-up	RE4R03A	927120G
88-up	RG4R01A/ JR403E	927120R



Jatco RL/RE4R01A, R4A-EL/R4AX-EL - Rebuild Kits

REBUILDER KITS

Application	Year		Deluxe Kit	Banner Kit	
Infiniti					
M30	90-92	RE4R01A	927000AB-2	927002AB	
J30	92-6/96	RE4R01A	927000AA-2	927002AA	
	7/96-9/97	RE4R01A	927000CA-2	927002CA	
QX4	97-00	RE4R01A	927000CA-4	927002CA	(1)
	01-up	RE4R01A	927000DA-4	927002DA	
Mazda					
929	92-1/17/95	R4A-EL	927000AB-4	927002AB	
	1/18/95-96	R4A-EL	927000AA-4	927002AA	
B2600 P/U 4wd	90-93	R4AX-EL	927000AA-3	927002AA	(1)
MPV (6 cyl.)	89-1/17/95	R4A-EL	927000AB-4	927002AB	(1)
	1/18/95-98	R4A-EL	927000AA-4	927002AA	(1)
RX-7	93-94	R4A-EL	927000AB-1	927002AB	(1)
	95-96	R4A-EL	927000AA-1	927002AA	(1)
Nissan					
240SX	89-90	RE4R01A	927000AB-2	927002AB	
	91-6/95	RE4R01A	927000AB-2	927002AB	
	7/95-6/96	RE4R01A	927000AA-2	927002AA	
	7/96-98	RE4R01A	927000CA-2	927002CA	
300ZX(Non-turbo)	90-96	RE4R01A	927000AA-2	927002AA	
Pickup(2wd, 4cyl.)	90-96	RL4R01A	927000AB-5	927002AB	(2)
	96-97	RL4R01A	927000BA-5	927002BA	(3)
Pickup(2wd, 6cyl.)	90-96	RE4R01A	927000AB-2	927002AB	(2)
	96-97	RE4R01A	927000BA-2	927002BA	(3)
Pickup(4wd)	88-3/89	RE4R01A	927000AA-4	927002AA	
	4/89-97	RE4R01A	927000AA-4	927002AA	
Frontier (4 cyl.)	98-up	RL4R01A	927000CA-5	927002CA	
Frontier (6 cyl.)	99-up	RE4R01A	927000CA-2	927002CA	(1)
Pathfinder (2wd)	90-1/95	RE4R01A	927000AB-2	927002AB	
	2/95-10/95	RE4R01A	927000AA-2	927002AA	
	11/95-00	RE4R01A	927000CA-2	927002CA	(1)
Pathfinder (4wd)	88-3/89	RE4R01A	927000AA-4	927002AA	
	4/89-10-95	RE4R01A	927000AA-4	927002AA	
	11/95-00	RE4R01A	927000CA-4	927002CA	
Pathfinder (3.5L)	01-up	RE4R01A	927000DA-4	927002DA	
Xterra (6 cyl.)	00-up	RE4R01A	927000CA-4	927002CA	(1)
Van	1990	RE4R01A	927000AB-2	927002AB	

(1) Some Extension and Adapter Seals are not included in kits (99-up Pathfinder; 93-96 RX7; 89-up Mazda 4wd)

(2) Contains .079" Low/Rev Frictions

(3) Contains .061" Low/Rev Frictions

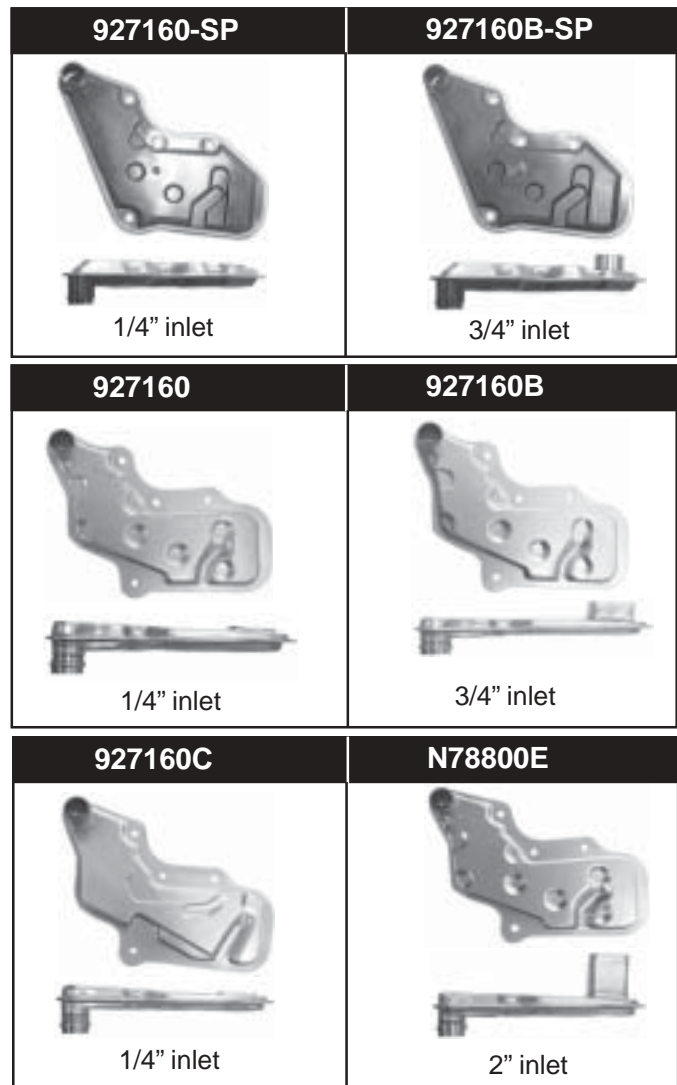
REBUILDER KITS

Year	Application	Overhaul Kit	Gasket Kit	External Seal Kit
88-up	All	927003	927004	927005

Jatco RL/RE4R01A, R4A-EL/R4AX-EL - Steel Kits

STEEL KITS

Year	Application	Steel Kit
Nissan		
88-89	Pathfinder - 4wd	927120
90-92	Pathfinder - 4wd	927120K
93-95	Pathfinder - 4wd	927120H
90-94	Pathfinder - 2wd	927120E
1995	Pathfinder - 2wd	927120H
96-up	Pathfinder - All	927120H
88-92	Pickup - 4wd	927120K
93-96	Pickup - 4wd	927120H
90-96	Pickup - 2wd V6	927120E
90-92	Pickup - 2wd 4cyl. (RL4R01A)	927120F
93-95	Pickup - 2wd 4cyl. (RL4R01A)	927120E
96-up	Pickup - 2wd 4cyl. (RL4R01A)	927120H
98-up	Frontier	927120H
00-up	Xterra	927120H
1989	Van	927120E
89-95	240SX	927120A
1996	240SX	TBA
97-up	240SX	TBA
89-92	300ZX Turbo	927120K
93-97	300ZX Turbo	927120H
Infiniti		
1992	J30	927120D
93-up	J30	927120H
90-91	M30	927120B
97-up	QX4	927120H
Mazda		
88-94	MPV	927120C
94-99	MPV	927120J



Jatco RE5R01A 5-Speed RWD

REBUILDER KITS

Year	Application	Deluxe Kit	Rebuild Kit	Banner Kit	Overhaul Kit	Gasket Kit
91-up	Non-Turbo			927002MA	927003M	
91-up	Turbo			927002MB	927003M	

STEEL KITS

Year	Application	Steel Kit
91-up	Non-Turbo	927120MA
91-up	Turbo	927120MB

Jatco F4A-EL, 4EAT-F, IF4E, F4E-III (ONE PAN)

REBUILDER KITS

Year	Application	Deluxe Kit	Rebuild Kit	Banner Kit	Overhaul Kit	Gasket Kit
90-up	All (1)		921001	921002	921003	921004

(1) Deluxe kit does not include any bushings.

STEEL KITS

Year	Application	Steel Kit
90-up	w/ .091" 3/4 steels	921120
90-up	w/ .071" 3/4 steels	921120A
95-up	w/ .130" 3/4 steels	921120B

Jatco FN4A-EL, 4F27E

REBUILDER KITS

Year	Application	Deluxe Kit	Rebuild Kit	Banner Kit	Overhaul Kit	Gasket Kit
99-up	Protégé w/ 4F27E			924002	924003	924004
00-up	Focus w/ FN4A-EL			924002A	924003A	924004

STEEL KITS

Year	Application	Steel Kit
99-up	All	924120

Jatco G4A, GF4A-EL, 4EAT-G (TWO PANS)

G-4EAT I.D. Chart

Mazda

323	88-89	Governor/ TV Cable	G4A-HL
626/ MX6(no Turbo)	87-92	4 Solenoids/ TV Cable	G4A-EL
626/ MX6(Turbo)	88-92	4 Solenoids/ TV Cable	G4A-EL
626/ MX6(4 & 6 cyl.)	1993	7 Solenoids	GF4A-EL
626/ MX6(6 cyl. only)	94-up	7 Solenoids	GF4A-EL
Millenia(6 cyl.)	95-up	7 Solenoids	GF4A-EL
Protégé(4wd)	90-91	4 Solenoids/ TV Cable	G4A-EL

Ford

Probe	89-92	4 Solenoids/ TV Cable	G4A-EL
Probe(2.0L)	1993	7 Solenoids	4EAT-GF
Probe(2.5L)	93-97	7 Solenoids	4EAT-GF

Mercury

Capri	92-94	4 Solenoids/ TV Cable	4EAT-G
-------	-------	-----------------------	--------

REBUILDER KITS

Year	Application	Deluxe Kit	Rebuild Kit	Banner Kit	Overhaul Kit	Gasket Kit
1987	All			922002	922003	922004
88-92	All			922002A	922003	922004
93-up	All			922002B	922003B	922004B

STEEL KITS

Year	Application	Steel Kit
Mazda		
86-87	626, MX6	922120
88-94	626, MX6 - 2.0L & Turbo	922120A
93-up	626, MX6 - 2.5L	922120B
97-up	Millenia	922120B
00-up	MPV	922120B
90-91	Protégé	922120A
Ford		
91-94	Capri	922120A
89-93	Probe - exc. Below	922120A
93-97	Probe - 2.5L	922120B

Jatco RL3F01A, RN3F01A 3-Speed FWD

REBUILDER KITS

Year	Application	Deluxe Kit	Rebuild Kit	Banner Kit	Overhaul Kit	Gasket Kit
81-86	Sentra (non-turbo)	926000AA		926002AA	926003	926004
87-90	Sentra (1)	926000AB		926002AB	926003	926004
91-92	Sentra (1)	926000AC		926002AC	926003	926004
81-86	Pulsar (non-turbo)	926000AA		926002AA	926003	926004
1983	Pulsar w/ Turbo (1)	926000AC		926002AC	926003	926004
87-88	Pulsar (1)	926000AB		926002AB	926003	926004
89-90	Pulsar (1)	926000AC		926002AC	926003	926004

(1) Deluxe kit contains 926160A filter with deep pickup tube, please order 926160 short pickup tube separately.

STEEL KITS

Year	Application	Steel Kit
81-up	All	926120

Jatco RL4F02A, RE4F02A/V 4-Speed FWD

REBUILDER KITS

Year	Application	Deluxe Kit	Rebuild Kit	Banner Kit	Overhaul Kit	Gasket Kit
1990	Axxess - RL4F02A (2) (3)	928000A		928002A	928003	928004
85-88	Maxima - RL4F02A	928000B		928002B	928003	928004
89-94	Maxima - RE4F02A (SOHC)	928000C		928002C	928003A	928004A
85-89	Stanza - RL4F02A (1) (3)	928000		928002	928003	928004
85-88	Wagon - RL4F02A	928000		928002	928003	928004
90-92	Stanza - RE4F02A/V (2) (3)	928000A		928002A	928003A	928004A
88-90	Pulsar - RL4F02A	928000D		928002D	928003	928004

(1) Kit contains tapered teeth High clutch frictions; order square tooth frictions separately

(2) For 1990 Axxess order valve body sub kit 928025G-K

(3) 4wd metal clad seals are only available from the dealer

STEEL KITS

Year	Application	Steel Kit
85-88	Maxima - RL4F02A	928120B
89-94	Maxima - RE4F02A	928120C
85-89	Stanza - RL4F02A	928120
90-92	Stanza - RE4F02A	928120A
87-90	Pulsar - RL4F02A	928120D
89-93	Axxess	928120A

Jatco RL/RE4F03A/V, RE4F03B

REBUILDER KITS

Year	Application	Deluxe Kit	Rebuild Kit	Banner Kit	Overhaul Kit	Gasket Kit
Infiniti						
91-12/92	G20 - 2.0L RL4F03A/V			929002BA	929003	
1/93-96	G20 - 2.0L RL4F03A/V			929002BA	929003	
99-up	G20 - 2.0L RE4F03B			929002BB	929003	
Nissan						
91-93	NX Coupe - 1.6L RL4F03A			929002AA	929003	
91-93	NX Coupe - 2.0L RL4F03A			929002BA	929003	
91-95	Sentra - 1.6L RL4F03A			929002AA	929003	
96-99	Sentra - 1.6L RL4F03A			929002AB	929003	
00-up	Sentra - 1.8L RL4F03B			929002BB	929003	
91-92	Sentra - 2.0L RL4F03A/V			929002BA	929003	
93-95	Sentra - 2.0L RL4F03A/V			929002BA	929003	
96-99	Sentra - 2.0L RL4F03A/V			929002BB	929003	
00-up	Sentra - 2.0L RL4F03B			929002BB	929003	
95-97	200SX - 1.6L RL4F03A/V			929002AA	929003	
1998	200SX - 1.6L RL4F03A/V			929002AB	929003	
95-97	200SX - 2.0L RL4F03A/V			929002BA	929003	
1998	200SX - 2.0L RL4F03A/V			929002BB	929003	

STEEL KITS

Year	Application	Steel Kit
91-94	1.6L	929120A
95-up	2.0L	929120B

Jatco RE4F04A/B, 4F20E

REBUILDER KITS

Year	Application	Deluxe Kit	Rebuild Kit	Banner Kit	Overhaul Kit	Gasket Kit
Mercury						
93-5/94	Villager - 4F20E		929001C	929002C	929003C	929004C
6/94-96	Villager - 4F20E		929001D	929002D	929003C	929004C
97-98	Villager - 4F20E		929001DA	929002D	929003C	929004C
99-up	Villager - 4F20E (1)		929001DA	929002D	929003C	929004C
Nissan						
93-5/94	Altima - RE4F04A/B		929001C	929002C	929003C	929004C
6/94-11/96	Altima - RE4F04A/B		929001D	929002D	929003C	929004C
12/96-up	Altima - RE4F04A/B		929001DA	929002D	929003C	929004C
92-5/94	Maxima - REF04A/B DOHC		929001C	929002C	929003C	929004C
6/94-11/96	Maxima - REF04A/B DOHC		929001D	929002D	929003C	929004C
12/96-up	Maxima - REF04A/B DOHC		929001DA	929002D	929003C	929004C
93-5/94	Quest - RE4F04A/B		929001C	929002C	929003C	929004C
6/94-11/96	Quest - RE4F04A/B		929001D	929002D	929003C	929004C
12/96-98	Quest - RE4F04A/B		929001DA	929002D	929003C	929004C
99-up	Quest - RE4F04A/B (1)		929001DA	929002D	929003C	929004C
Infiniti						
96-11/96	I30 - RE4F04A/B		929001D	929002D	929003C	929004C
12/96-up	I30 - RE4F04A/B		929001DA	929002D	929003C	929004C

(1) For 1999-up Quest and Villager, please order (1) additional N82104 Forward friction

STEEL KITS

Year	Application	Steel Kit
92-up	All	929120C

Honda 2 & 3 Speeds

REBUILDER KITS

Year	Application	Deluxe Kit	Rebuild Kit	Banner Kit	Overhaul Kit	Gasket Kit
75-80	2 Speed			901002-2	901003-2	901004-2
80-85	3 Speed			901002-3	901003-3	901004-3

STEEL KITS

Year	Application	Steel Kit
73-80	2 Speed	901120-2
80-85	3 Speed	901120-3

Acura - Longitudinal (In-Line) 4 Speeds

REBUILDER KITS

Year	Application					Banner Kit	Overhaul Kit	Gasket Kit
		Sfts	Cltch OD	Cltch Pks				
Acura								
Legend	91-95	MPYA	2	127	6	905002	905003	905004
3.2TL	96-98	M5HA	2	127	6	905002	905003	905004
3.5RL	96-up	M5DA	2	127	6	905002	905003	905004
Vigor	92-95	MPWA	2	114	5	905002A	905003A	905004A
2.5TL	96-98	M1WA	2	114	5	905002A	905003A	905004A

STEEL KITS

Year	Application					Steel Kit
		Sfts	Cltch OD	Cltch Pks		
Acura						
Legend	91-95	MPYA	2	127	6	905120
3.2TL	96-98	M5HA	2	127	6	905120-1
3.5RL	96-up	M5DA	2	127	6	905120-1
Vigor	92-95	MPWA	2	114	5	905120A
2.5TL	96-98	M1WA	2	114	5	905120A

Honda - Transverse 4-Speed with 2 Shafts

REBUILDER KITS

Application	Year		Banner Kit	Overhaul Kit	Gasket Kit	Steel Kit
Accord						
3 & 4 Door	1983	AK	901002AK	901003AK	901004AK	901120AK
3 & 4 Door	84-85	AS	901002AS	901003AS	901004AK	901120AS
3 & 4 Door	86-89	F4	901002F	901003F	901004F	901120F
Coupe	88-89	F4/N6	901002F	901003F	901004F	901120F
Civic 2wd, CRX						
3 Door	86-87	CA	901002CA	901003CA	901004CA	901120CA
3 Door	88-91	L4	901002L	901003L	901004L	901120L
4 Door	86-87	CA	901002CA	901003CA	901004CA	901120CA
4 Door	88-91	L4/ ML4A	901002L	901003L	901004L	901120L
Wagon	86-87	CA	901002CA	901003CA	901004CA	901120CA
Wagon	88-91	L4/ ML4A	901002L	901003L	901004L	901120L
Wagonvan	88-90	L4	901002L	901003L	901004L	901120L
CRX	86-87	CA	901002CA	901003CA	901004CA	901120CA
CRX	88-91	L4/ ML4A	901002L	901003L	901004L	901120L
Civic 4wd						
All	89-90	S5	901002SM	901003SM	901004SM	901120SM
All	1991	MPSA	901002SM	901003SM	901004SM	901120SM
Wagon	89-90	S5	901002SM	901003SM	901004SM	901120SM
Wagon	1991	MPSA	901002SM	901003SM	901004SM	901120SM
Prelude						
Carb.	83-87	AK, AS	901002AS	901003AS	901004AK	901120AS
Fuel Injected	85-87	F4	901002F	901003F	901004F	901120F
All	88-89	K4	901002K	901003K	901004K	901120F
All	1990	PY8A	901002K	901003K	901004K	901120F
All	1991	MY8A	901002K	901003K	901004K	901120F
Acura & Sterling						
Integra	1986-87	CA	901002CA	901003CA	901004CA	901120CA
Integra	88-89	P1	901002L	901003L	901004L	901120L
Legend Sedan	86-87	G4	901002G	901003G	901004G	901120G
Legend Sedan	88-90	L5, PL5X	901002G	901003G	901004G	901120G
Legend Coupe	87-90	L5, PL5X	901002G	901003G	901004G	901120G

Honda - Transverse 4 Speed with 3 Shafts

REBUILDER KITS

Year	Application		Sfts	Clutch OD	Clutch Pks	Banner Kit	O/H Kit	Gasket Kit	Steel Kit
Acura Integra									
All	1990	RO	3	116	4	904002R	904003R	904004R	904120R
All	91-93	MPRA	3	99/ 116	4	904002R	904003R	904004R	904120RA
All	94-95	MP7A, SP7A	3	99/ 116	5	904002D	904003D	904004CA	904120D
All	96-99	S4XA	3	99/ 116	5	904002DA	904003D	904004CA	904120DA
Acura CL Series									
2.2	1997	A6VA	3	120	5	904002	904003	904004	904120-1
3.0	1997	M7ZA	3	120	4	904002AA	904003A	904004A	904120AA
3.0	98-99	M7ZA	3	120	4	904002AA	904003A	904004A	904120AA
2.3	98-99	B6VA	3	116/ 120	4	904002AB	904003AB	904004AB	904120AB
3.2	2000-up	MGFA	3	TBA	6	904002M	904003M	904004M	904120M
Acura TL									
3.2	1999	B7VA, B7YA	3	123/ 128	5	904002L	904003A	904004A	904120L
3.2	2000-up	M7WA	3	TBA	6	904002M	904003M	904004M	904120M
Honda Accord									
All	1990	PX4B	3	120	5	904002	904003	904004	904120
All	1991	APX4/A, MPWA/XA	3	120	5	904002	904003	904004	904120
All	92-93	APX4/A, MPWA/XA	3	120	5	904002	904003	904004	904120
4 cyl.	94-95	MPOA, AOYA, BOYA	3	120	5	904002	904003	904004	904120
4 cyl.	96-97	MPOA, AOYA, BOYA	3	120	5	904002	904003	904004	904120-1
4 cyl.	98-99	BAXA, MAXA	3	116/ 120	4	904002AB	904003AB	904004AB	904120A
V6	95-97	MPZA	3	116/ 120/ 132	5	904002A	904003A	904004A	904120A
V6	98-99	B7XA	3	120	4	904002AA	904003A	904004A	904120AA
Honda CRX, Civic									
All	92-95	M24A, A24A, S24A	3	99/ 110	5	904002C	904003C	904004C	904120C
All exc. Below	96-99	A4RA, B4RA, B46A	2	110	4	904002CB	904003CA	904004CA	904120CB
Some 4 Door	1997	M4RA	2	110	4	904002CB	904003CA	904004CA	904120CB
HX with CVT	96-00	M4VA	1	110/ 116/ 145	3	904002E	904003E	904004E	904120E
HX with CVT	01-up	MLYA				904002F	904003F	904004F	904120F
Honda Del Sol									
All	93-95	M24A/ S24A	3	99/ 110	5	904002C	904003C	904004C	904120C
All	96-97	S24A	3	99/ 110	5	904002CA	904003CA	904004CA	904120C
Honda CRV									
All	97-98	SDMA, M4TA, MDLA, MOMA	3	99/ 116	5	904002K	904003K	904004K	904120DA
	1999	VP3F	3	99/ 116	5	904002K	904003K	904004K	904120DA
Transfer Case	97-up							904004KT	
Honda Odyssey, Isuzu Oasis									
All	95-97	MPJA	3	120	5	904002	904003	904004	904120-1
All	1998	MDWA	3	116/ 120	4	904002AB	904003AB	904004AB	904120AB-1
All	99-up	B7YA, B7TA, E7YA	3	123/ 128	4	904002L	904003A	904004A	904120L
Honda Prelude									
S Model	92-94	MP1A	3	120	5	904002	904003	904004	904120-2
S Model	95-96	MP1A	3	120	5	904002	904003	904004	904120-2
Si & SE Models	92-94	MP1A	3	120	5	904002	904003	904004	904120-2
Si & SE Models	95-96	MP1A	3	120	5	904002	904003	904004	904120-2
All	97-up	M6HA	3	116/ 120	5	904002AB	904003AB	904004AB	904120AB

KM171-177 (Hydraulic - Has Governor) - 1983-88

REBUILDER KITS

Year	Application				Banner	O/H Kit	Gasket Kit	Steel Kit
Mitsubishi								
		Speeds						
Cordia & Tedia	1983	3	1.8L	KM171-0	941002BA	941003B	941004A	941120A
	84-88	3	2.0L	KM172-0	941002BB	941003B	941004A	941120A
Galant	85-88	4	2.4L	KM175-1	941002CA	941003C	941004C	941120C
Galant Sigma	1988	4	3.0L	KM177-0	941002DA	941003D	941004C	941120D
Mirage	85-88	3	1.5L	KM171-1	941002BA	941003B	941004A	941120A
	85-88	3	1.6L	KM171-2	941002BA	941003B	941004A	941120A
Precis	1986	3		KM170-1	941002AB	941003A	941004A	941120A
	87-88	3		KM171-1	941002BA	941003B	941004A	941120A
Hyundai								
Excel	1986	3		KM170-1	941002AB	941003A	941004A	941120A
	87-88	3		KM171-1	941002BA	941003B	941004A	941120A
Dodge/ Plymouth								
Colt/ Champ	79-10/81	3	1.4, 1.6L	KM170-0	941002AA	941003A	941004A	941120A
	11/81-82	3	1.4, 1.6L	KM170-1	941002AB	941003A	941004A	941120A
	83-84	3	1.4, 1.6L	KM170-2	941002AB	941003A	941004A	941120A
	84-88	3	2.0L	KM172-0	941002BB	941003B	941004A	941120A
	85-88	3	1.5L	KM171-1	941002BA	941003B	941004A	941120A
	85-88	3	1.6L	KM171-2	941002BA	941003B	941004A	941120A
Colt/ Vista	84-88	3	2.0L	KM172-0	941002BB	941003B	941004A	941120A

KM171.5-177.8 (Electronic - No Governor) - 1989-99

REBUILDER KITS

Application	Year	Speeds	Engine	Transmission	Banner Kit	Overhaul Kit	Gasket Kit	Steel Kit
Mitsubishi								
Eclipse(non-turbo)								
	89-95	4	1.8, 2.0L	KM175-5, F4A22-2	941002FA	941003F	941004F	941120F
	96-99	4	2.4 SOHC	KM177-8, F4A23-2	941002FA	941003F	941004F	941120F
Expo (2wd)								
	92-95	4		KM177-8, F4A23-2	941002FA	941003F	941004F	941120F
Expo LRV								
	92-94	4	1.8L	KM175-5, F4A22-2	941002FA	941003F	941004F	941120F
	93-94	4	2.4L	KM177-8, F4A23-2	941002FA	941003F	941004F	941120F
Galant (2wd)								
	88-93	4	2.0L	KM175-5, F4A22-2	941002FA	941003F	941004F	941120F
Galant SOHC								
	94-98	4	2.4L	KM177-8, F4A23-2	941002FA	941003F	941004F	941120F
Galant Sigma								
	89-90	4	3.0L	KM177-8, F4A23-2	941002FA	941003F	941004F	941120F
Mirage								
	89-97	3	1.5L	KM171-5, F3A21-2	941002EA	941003E	941004E	941120E
	91-92	4		KM176-5, F4A21-2	941002FB	941003F	941004F	941120F
	93-96	4	1.8L	KM175-5, F4A22-2	941002FA	941003F	941004F	941120F
Precis								
	89-92	3		KM171-5, F3A21-2	941002EA	941003E	941004E	941120E
	90-94	4		KM176-5, F4A21-2	941002FB	941003F	941004F	941120F
Hyundai								
Excel								
	89-92	3		KM171-5, F3A21-2	941002EA	941003E	941004E	941120E
	90-94	4		KM176-5, F4A21-2	941002FB	941003F	941004F	941120F
Elantra								
	92-95	4	1.5L	KM176-5, F4A21-2	941002FB	941003F	941004F	941120F
	93-95	4	1.8L	KM175-5, F4A22-2	941002FA	941003F	941004F	941120F
Scoupe								
	91-92	4		KM176-5, F4A21-2	941002FB	941003F	941004F	941120F
Sonata								
	1/2/90-94	4	2.4L	KM176-5, F4A21-2	941002FB	941003F	941004F	941120F
	90-94	4	3.0L	KM177-8, F4A23-2	941002FA	941003F	941004F	941120F
	92-98	4	2.0L	KM175-5, F4A22-2	941002FA	941003F	941004F	941120F
Dodge/ Plymouth								
Colt/ Champ								
	89-96	3	1.5L	KM171-5, F3A21-2	941002EA	941003E	941004E	941120E
	89-92	4		KM176-5, F4A21-2	941002FB	941003F	941004F	941120F
Colt Vista								
	89-91	3	2.0L	KM172-5, F3A22-2	941002EB	941003E	941004E	941120E
	92-94	4	1.8L	KM175-5, F4A22-2	941002FA	941003F	941004F	941120F
	93-94	4	2.4L	KM177-8, F4A23-2	941002FA	941003F	941004F	941120F
Laser								
	89-95	4	1.8, 2.0L	KM175-5, F4A22-2	941002FA	941003F	941004F	941120F
	96-99	4	2.4 SOHC	KM177-8, F4A23-2	941002FA	941003F	941004F	941120F
Eagle								
Summit								
	89-95	3		KM171-5, F3A21-2	941002EA	941003E	941004E	941120E
	89-92	4		KM176-5, F4A21-2	941002FB	941003F	941004F	941120F
	93-96	4		KM175-5, F4A22-2	941002FA	941003F	941004F	941120F
Summit Wagon								
	92-94	4	1.8L	KM175-5, F4A22-2	941002FA	941003F	941004F	941120F
	93-94	4	2.4L	KM177-8, F4A23-2	941002FA	941003F	941004F	941120F
Talon								
	89-95	4	1.8, 2.0L	KM175-5, F4A22-2	941002FA	941003F	941004F	941120F
	96-99	4	2.4 SOHC	KM177-8, F4A23-2	941002FA	941003F	941004F	941120F

F4A32-1, A4AF-1, A4AF-2, A4BF-1

I.D. Chart

Hyundai

Scoupe	93-95	1.5L	A4AF-1
Accent	95-up	1.5L	A4AF-2
Elantra	96-98	1.8L	A4BF-1
	99-up	2.0L	A4BF-1
Tiburon	97-99	1.8L	A4BF-1
	97-up	2.0L	A4BF-1

REBUILDER KITS

Year	Application	Rebuild Kit	Banner Kit	O/H Kit	Gasket Kit	Steel Kit
93-up	A4AF-1, A4AF-2	941001G	941002G	941003G	941004G	941120G
96-up	A4BF-1	941001H	941002H	941003G	941004G	941120H

F4A33-1, W4A33-1/ 32-1 (AWD)

I.D. Chart

Mitsubishi

			Speeds	Drive
3000 GT	91-99	4		FWD F4A33-1
Diamante	91-96	4		FWD F4A33-1
Eclipse	91-99	4	Turbo	FWD F4A33-1
	91-99	4	Turbo	AWD W4A33-1
Expo	92-95	4		AWD W4A32-1
Expo LRV	92-94	4		AWD W4A32-1
Galant	91-92	4		AWD W4A32-1
	1994	4	2.4 SOHC	FWD F4A33-1
Sonata	95-98	4	3.0L	FWD F4A33-1

Dodge/ Plymouth

Colt Vista	92-94	4		AWD W4A32-1
Laser	91-99	4	Turbo	FWD F4A33-1
	91-99	4	Turbo	AWD W4A33-1
Stealth	91-99	4		FWD F4A33-1

REBUILDER KITS

Year	Application	Rebuild Kit	Banner Kit	O/H Kit	Gasket Kit	Steel Kit
91-99	F/W4A33-1	943001AA	943002AA	943003	943004	943120
91-96	W4A32-1	943001AB	943002AB	943003	943004	943120
91-99	Transfer Case				943004T	

KM SERIES

F4A41-1(1.5L), 42-1(1.6L), F4A51(3.0L V6)

I.D. Chart

Mitsubishi		Speeds		
Eclipse	00-up	4	2.4 SOHC	F4A42-1
	00-up	4	V6 3.0L	F4A51-1
Galant	99-up	4	2.4 SOHC	F4A42-1
	99-up	4	3.0L	F4A51-1
Mirage	97-up	4	1.5L	F4A41-1
	97-up	4	1.8L	F4A42-1
Sonata	99-up	4	2.4L	F4A42-1
	99-up	4	3.0L	F4A51-1

REBUILDER KITS

Year	Application	Rebuild Kit	Banner Kit	O/H Kit	Gasket Kit	Steel Kit
97-up	F4A41	945001	945002	945003	945004	945120
97-up	F4A42	945001A	945002A	945003	945004	945120
97-up	F4A51	945001B	945002B	945003B	945004B	945120B

R/V4A51 (4 Speed) - R/V5A51 (5 Speed)

REBUILDER KITS

Year	Application	Rebuild Kit	Banner Kit	Overhaul Kit
99-up	R/V4A51 (4-Speed)	945001E	945002E	945003E
99-up	R/V5A51 (5-Speed)	945001F	945002F	945003E

STEEL KITS

Year	Application	Steel Kit
99-up	R/V4A51 (4-Speed)	945120E
99-up	R/V5A51 (5-Speed)	945120F

VW003

REBUILDER KITS

Year	Application	Banner Kit	Overhaul Kit	Gasket Kit	Steel Kit
69-75	VW003	985002	985003	985004	985120

Volkswagen 010, 087, 089 & 090 3-Speed FWD

REBUILDER KITS - Kits do not include molded rubber pistons

Year	Application	Rebuild Kit	Banner Kit	Overhaul Kit	Gasket Kit
75-92	VW010 (1)	985001A	985002A	985003A	985004A
78-92	VW087 w/ 4.75" Direct Frictions (1)	985001BA	985002BA	985003B	985004A
83-92	VW087 w/ 5.00" Direct Frictions (1)	985001BB	985002BB	985003B	985004A
75-92	VW089 (1)	985001C	985002C	985003C	985004A
77-92	VW090 (1)	985001D	985002D	985003D	985004A
75-92	Final Drive Sub Kit (010)	985005A			
75-92	Final Drive Sub Kit (087, 089)	985005B			
77-92	Final Drive Sub Kit (090)	985005D			

(1) These kits include the Final Drive Sub Kit

STEEL KITS

Year	Application	Steel Kit
75-92	VW010	985120A
83-92	VW087	985120B
75-92	VW089	985120C
77-92	VW090	985120D

MOLDED PISTONS

Year	Application	Piston
75-82	All	985540-K
83-up	All	985540A-K

Volkswagen AG4, 095, 096, 097, 098

I.D. Chart

Audi

Model 80	91-92	2.3L	097
Model 90 CS/S	91-92	2.3L	097
	93-95	2.6/ 2.8L	097
Model 100CS/S	1991	2.3L	097
Cabriolet	1994	2.8L	097
	95-up	2.8L	097/ 01N

Volkswagen

Beetle	98-up		096/01M
Cabrio	95-96	2.0L	096/01M
Corrado	90-94		095/096
	95-up		095/096/01M
Golf	93-94		096
	95-up		096/01M
Jetta/ GLX	93-94	2.0, 2.8L	096
	95-up	2.0, 2.8L	096/01M
Passat	90-94		095/096
	95-97		095/096/01M
	98-up	Diesel	095/096/01M
Eurovan	93-94		098
	95-up		098/01P

REBUILDER KITS - Kits do not include molded rubber pistons

Year	Application	Rebuild Kit	Banner Kit	Overhaul Kit	Gasket Kit
90-94	095/ 096 w/ 3.780" OD 3/4 Frictions		987002AA	987003A	
93-up	095/ 096/ 01M w/ 4.00" OD 3/4 Frictions		987002AB	987003A	
91-94	097 w/ 3.780" OD 3/4 Frictions		987002BA	987003B	
93-up	097/ 01N w/ 4.00" OD 3/4 Frictions		987002BB	987003B	
92-94	098 w/ 3.780" OD 3/4 Frictions		987002CA	987003C	
93-up	098/ 01P w/ 4.00" OD 3/4 Frictions		987002CB	987003C	

STEEL KITS

Year	Application	Steel Kit
89-95	095, 096, 097	987120A
96-up	01M, 01N	987120A-1
91-95	098	987120C
96-up	01P	987120C-1

MOLDED PISTONS

Year	Application	Piston
90-94	Kit, 5 Pistons	987540-K
93-up	Kit, 5 Pistons w/ 2 retainers	987540A-K

Mercedes 722.0, 722.1, 722.2 - 4 Bolt Pan

REBUILDER KITS

Year	Application	Deluxe Kit	Rebuild Kit	Banner Kit	Overhaul Kit	Gasket Kit
69-82	722.0, 722.1, 722.2 - 4 Bolt Pan			951002	951003	

Mercedes 722.3, 722.4 - 6 Bolt Pan

REBUILDER KITS

Year	Application	Deluxe Kit	Rebuild Kit	Banner Kit	Overhaul Kit	Gasket Kit
81-96	722.3 (W4A-040) 6 Bolt Pan			951002A	951003A	
83-96	722.4 (W4A-020) 6 Bolt Pan			951002B	951003B	

STEEL KITS

Year	Application	Steel Kit
81-97	722.301,303,304,310,312,315,317,319,320,321,342,351,355,358,359,361,367,369	951120A
81-97	722.311,313,323,350,353,362,364,365,370	951120A-1
81-97	722.324,354,366	951120A-2
83-97	722.400,408,414,423	951120B
83-97	722.409,413,416	951120B-1
83-97	722.403	951120B-2

Mercedes 722.5 (with Modulator)

REBUILDER KITS

Year	Application	Deluxe Kit	Rebuild Kit	Banner Kit	Overhaul Kit	Gasket Kit
90-96	722.5 (W4A-030)			951002C	951003C	

STEEL KITS

Year	Application	Steel Kit
90-96	722.500,502,507,508	951120C

Mercedes 722.6 (Electronic w/ Removable Bell Housing)

REBUILDER KITS

Year	Application	Deluxe Kit	Rebuild Kit	Banner Kit	Overhaul Kit	Gasket Kit
96-up	722.600-603 (1)			951002DA	951003D	
96-up	722.604-618, 622/4/5, 697, 699 (1)			951002DB	951003D	
96-up	722.620-636, 661, 663, 666, 669 (1)			951002DC	951003D	

(1) Order by model number stamped on the case above the pan rail

STEEL KITS

Year	Application	Steel Kit
96-97	All	951120D-1
98-01	All	951120D-2
02-up	All	951120D-3

ZF SERIES

ZF 3HP12/20

REBUILDER KITS

Year	Application	Deluxe Kit	Rebuild Kit	Banner Kit	Overhaul Kit	Gasket Kit
60-75	ZF3HP12/20			991002-1	991003-1	

ZF 3HP22, 4HP22/24

REBUILDER KITS

Year	Application	Deluxe Kit	Rebuild Kit	Banner Kit	Overhaul Kit	Gasket Kit
76-85	ZF3HP22			991002	991003	
84-up	ZF4HP22			991002A	991003A	
88-up	ZF4HP24			991002B	991003A	

STEEL KITS

Year	Application	Steel Kit
76-84	ZF3HP22	991120
83-99	ZF4HP22	991120A
87-99	ZF4HP24	991120B
89-99	ZF4HP24A w/ Transfer Case	991120C
89-99	ZF4HP24A w/o Transfer Case	991120D

ZF SERIES

ZF 4HP14/18

REBUILDER KITS

Year	Application	Deluxe Kit	Rebuild Kit	Banner Kit	Overhaul Kit	Gasket Kit
88-92	Eagle & Dodge - (ZF4HP18FL)			992002A	992003A	
86-98	SAAB 9000 - (ZF4HP18Q)			992002B	992003B	
91-up	Citroen - (ZF4HP18Q)			992002C	992003C	
90-up	Alfa Romeo 164 - (ZF4HP18Q)			992002D	992003D	
92-94	Audi 100 (2wd) - (ZF4HP18FLE)			992002E	992003E	
91-97	Audi 100 (AWD) - (ZF4HP18FLA)			992002F	992003F	
84-up	Peugeot - (ZF4HP14)			992002	992003	

STEEL KITS

Year	Application	Steel Kit
86-94	Peugeot - (ZF4HP14)	992120
88-92	Eagle & Dodge - (ZF4HP18FL)	992120A
92-94	Audi 100 (2wd) - (ZF4HP18FLE)	992120E
91-97	Audi 100 (AWD) - (ZF4HP18FLA)	992120E
86-98	SAAB 9000 - (ZF4HP18Q)	992120A
90-up	Alfa Romeo 164 - (ZF4HP18Q)	992120A
91-up	Citroen - (ZF4HP18Q)	992120A

ZF 5HP18

REBUILDER KITS

Year	Application	Deluxe Kit	Rebuild Kit	Banner Kit	Overhaul Kit	Gasket Kit
91-up	ZF5HP18			992002G	992003G	

STEEL KITS

Year	Application	Steel Kit
91-up	ZF5HP18	992120G

ZF SERIES

ZF 5HP19, ZF 5HP19FLE/FLA

REBUILDER KITS

Year	Application	Deluxe Kit	Rebuild Kit	Banner Kit	Overhaul Kit	Gasket Kit
97-up	ZF5HP19			992002J	992003J	
95-up	ZF5HP19FLE			992002K	992003K	
95-up	ZF5HP19FLA			992002L	992003L	

STEEL KITS

Year	Application	Steel Kit
95-up	All	992120J

ZF 5HP24

REBUILDER KITS

Year	Application	Deluxe Kit	Rebuild Kit	Banner Kit	Overhaul Kit	Gasket Kit
95-up	Spec. #010 and lower			991002G	991003G	
95-up	Spec. #013 and higher			991002H	991003H	

STEEL KITS

Year	Application	Steel Kit
95-up	All	991120G

ZF SERIES

ZF 5HP24A

REBUILDER KITS

Year	Application	Deluxe Kit	Rebuild Kit	Banner Kit	Overhaul Kit	Gasket Kit
96-up	ZF5HP24A			991002J	991003J	

STEEL KITS

Year	Application	Steel Kit
96-up		991120J

ZF 5HP30

REBUILDER KITS

Year	Application	Deluxe Kit	Rebuild Kit	Banner Kit	Overhaul Kit	Gasket Kit
93-up	ZF5HP30			991002M	991003M	

STEEL KITS

Year	Application	Steel Kit
93-up	ZF5HP30	991120M

Subaru M41, M41A (3 Speed)

REBUILDER KITS

Year	Application	Deluxe Kit	Rebuild Kit	Banner Kit	Overhaul Kit	Gasket Kit
75-82	13 Bolt Pan		955001	955002	955003	955004
83-84	2wd/ 4wd - 14 Bolt Pan (1)		955001AA	955002AA	955003	955004
85-94	2wd/ 4wd - 14 Bolt Pan (1) (2)		955001AB	955002AB	955003	955004

- (1) Kits do not include Transfer Case components
- (2) The modulator supplied in the Rebuild Kit will not fit 85-up Turbos

STEEL KITS

Year	Application	Steel Kit
75-82	2wd	955120
83-94	2wd & 4wd (3)	955120A

- (3) Kit includes Transfer Case steels

Subaru 4EAT, R4AX-EL (2WD & 4WD 4-Speed)

REBUILDER KITS

Year	Application	Deluxe Kit	Rebuild Kit	Banner Kit	Overhaul Kit	Gasket Kit
87-12/94	All exc. Below (1) (4)			956002	956003	956004
91-92	Legacy Turbo (1)			956002AA	956003	956004
92-12/93	SVX (1)			956002AA	956003	956004
93-12/94	Legacy Turbo (1)			956002AC	956003	956004
1/94-12/94	SVX (1)			956002AC	956003	956004
93-6/95	Impreza w/ 1.8L (1)			956002AB	956003	956004
7/95-6/96	2wd Impreza (1)			956002AB	956003	956004
1/95-6/95	Impreza w/ 2.2L (1) (4)			956002AD	956003	956004
7/95-6/96	4wd Impreza (1)			956002AD	956003	956004
7/96-6/98	Impreza (1)			956002AD	956003	956004
1/95-6/98	Legacy, SVX, Forester (1) (3)			956002AD	956003	956004

(1) Kits include Transfer Case gaskets & seals but not Transfer Case frictions

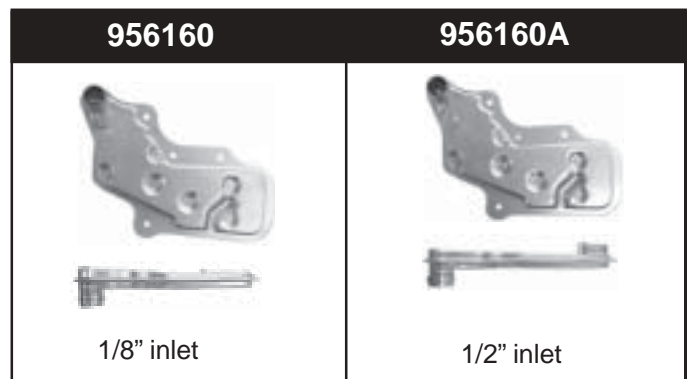
(2) 1993-12/94 Non-turbo Legacy: Order (6) 74321B (Natpro#) Low/Rev frictions separately

(3) 1/95-97 SVX: Order (1) 85304 (Natpro#) Forward and (1) 74321B (Natpro#) Low/Reverse frictions separately

(4) 8/94-3/95 Impreza w/ 2.2L: Order (1) 74321B (Natpro#) Low/Reverse friction separately

STEEL KITS

Year	Application	Steel Kit
DL, GL, XT		
87-89	(5)	956120
Impreza		
92-96	(6)	956120AB
97-98	(6)	TBA
Forester		
1998	(5)	TBA
Legacy		
89-94	Non-turbo (5)	956120
89-91	Turbo (5)	956120AA
92-94	Turbo (5)	956120AC
1995	2.2L (5)	956120AD
96-98	2.2L (5)	TBA
96-98	2.5L (5)	TBA
Loyale		
90-93	(5)	956120
SVX		
92-94	(5)	956120AA
95-98	(5)	TBA



(5) Kits do not include Transfer Case steels, please order separately

(6) Kits include Transfer Case Steels

Renault MB1, MJ3

REBUILDER KITS

Year	Application	Banner Kit	Overhaul Kit	Gasket Kit
83-89	MB1, MJ3	911002	911003	911004

STEEL KITS

Year	Application	Steel Kit
83-90	MB1, MJ3 - Combo Kit	911120

BW-T35, 41, 44

REBUILDER KITS

Year	Application	Banner Kit	Overhaul Kit	Gasket Kit
62-71	USA Models	915002	915003	915004
63-up	Non-USA Models	915002A	915003A	915004A

STEEL KITS

Year	Application	Steel Kit
62-up	All	915120

BW-T65, T66

REBUILDER KITS

Year	Application	Banner Kit	Overhaul Kit	Gasket Kit
74-up	BW-T65, T66	916002	916003	916004

STEEL KITS

Year	Application	Steel Kit
74-up	BW-T65, T66	915120